



Primer

RS-35C T2

Low spin washers

T2 CONTROL

User friendly and totally programmable 7".
 USB Connection. Online platform free of charge for programming, telemetry, data analysis...thanks to the IoT.
 Videos on display (ads, instructions, etc.).
 37 languages.
 8 dosing signals as standard.

G FACTOR

FACTOR G 200: 11 - 45 kg.
 FACTOR G 150: 60 - 80 kg.

CONNECTIVITY

PRIMERLINK - Standard and free IoT connectivity.
 Remote technical service.
 Management of laundries: OPL.
 Remote payment.

EFFICIENCY

Intelligent consumption: automatic adjustment of water and soap consumptions (standard).
 OPTIMAL KG: manual indication of weight.
 Low water consumption.

VERSATILITY

Make to order: customisation.
 OPL < > Self-service.
 Electric < > Hot water.
 Wet Cleaning.

ERGONOMICS

Easy opening/closing system for door lock.
 Biggest door diameters:
 • Ø 373 (11, 14 kg)
 • Ø 460 (18, 22, 28 kg)
 • Ø 560 (35, 45, 60, 80kg)

EASY MAINTENANCE

Hinged control panel: easy and ergonomic access.
 Technical menu: statistics for technicians.
 Equivalent parts for all models: electronic parts, contactors.

OTHERS

Hard mounted washers.
 Anchoring to floor with anchoring base.
 Panels in skinplate.
 Drum and vat in stainless steel AISI 304.
 3 water inlets.
 CB and WRAS approved product. Option ETL.
 REG4 standard certified by KIWA.



OPTIONS

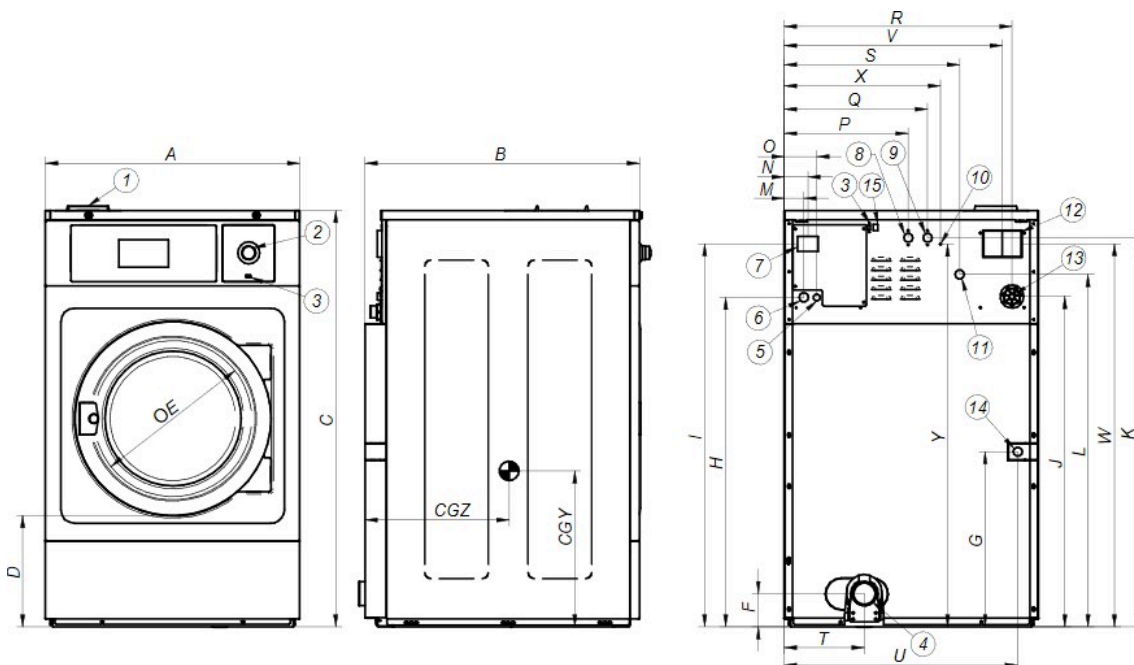
- License IoT - PrimerLink
- DQ-2 Dosing pump kit. 2 pumps with guide support.
- Extra detergent dosage DB-1
- SLUICE - Drum with Ø 8 mm holes RS-35C
- Fixation base RS-35C
- Double drain kit for RS-18/22/28/35C/45C
- Ready for SAVETANK XL conn. 1" for washers LS/RS-35C/45C
- Normally closed valve RS-35C/45C
- Water Recycle RS-35C / 45C
- 6 extra dosing signals card for RS-11 to 45C
- Reversible door: reverse door opening
- Tropicalized model: protected board (T2)
- Kit to transform an E or HW RS-28/35C/45C
- Stainless steel outer casing RS-35C
- Stainless steel AISI 304 top and front panel for DLS-35C/45C
- 440 V III No N 50/60 Hz RS-35C
- Several payment systems for self-service

DRUM	UNIT.	RS-35C T2	
Capacity 1/9	Kg	39	
Capacity 1/10	Kg	35	
Volume	l	350	
Diameter	mm	860	
Depth	mm	602	
GENERAL DETAILS			
Washing speed / Spining speed	r.p.m.	45 / 644	
G Factor	-	200	
Maximum force transmitted	KN	4,59 ±8	
Frequency-dynamic force	Hz	7,58	
Noise level	dB	< 70	
Coin laundry version	-	YES	
Double drain	-	OPT.	
Weighing system / Tilting door	-	NO	
		NO	
SLUICE option	-	YES	
DOOR			
Height center door / Height door	mm	735 / 440	
Diameter	mm	560	
POWER			
Motor	kW	4	
Electric heating power	kW	21	
Total electric power (electric model)	kW	22	
Total electric power (hw, steam model)	kW	4	
CONNECTIONS		E	HW/S
Tension 110V - I + N + T	Nº x mm ² / A	-	-
Tension 230V - I + N + T	Nº x mm ² / A	-	2x4+T - 32A
Tension 230V - III + T	Nº x mm ² / A	3x16+T - 63A	3x2,5+T - 20A
Tension 400V - III + N + T	Nº x mm ² / A	4x6+T - 40A	4x1,5+T - 16A
Steam inlet (Steam model)	inch	3/4"	3/4"
Maximum steam consumption (Steam model)	Kg/h	18	
Water inlet	inch	3/4"	
Water main pressuer	Kg/cm ²	2-4	
Maximum water consumption*	l / h	199,6*	
Drain	mm/inch	3"	
Drainage capacity	l / min	200	
DIMENSIONS / PACKING DIMENSIONS			
Net Width/Gross width	mm	979/ 1.045	
Net Depth/Gross depth	mm	1.155 / 1.280	
Net Height / Gross height	mm	1.411 / 1.655	
Net weight / Gross weight	kg	476 / 510	
Volume	m ³	2,2	

* Program nº20, 75% load

** Program nº2, 100% load





1. Soap dispenser
2. Emergency stop
3. USB port
4. Drain
5. Electric connection to liquid soap pumps
6. Electrical connection
7. Main switch
8. Auxiliar water inlet
9. Hot water inlet
10. Equipotential connection
11. Cold water inlet
12. Blur output / Water overload
13. Liquid soap connection
14. Steam connection
15. Ethernet port
16. Clean side light

		A	B	C	D	E	F	G	H	I	J	K	L	M	N	O	P	Q	R	S	T	U	V	W	X	Y	CGY	CGZ
RS-35C	mm	979	1.155	1.411	370	560	149	623	1.139	1.307	1.116	1.322	1.211	61	74	101	545	625	885	715	262	917	855	1.281	760	1.373	635	682
	inch	38,54	45,47	55,55	14,57	22,05	5,87	24,53	44,84	51,46	43,94	52,05	47,68	2,40	2,91	3,98	21,46	24,61	34,84	28,15	10,31	36,10	33,66	50,43	29,92	54,06	25,00	26,85