



Primer

DDL-22 P

BASIC Stack dryers

P CONTROL

Push buttons to control temperature and time.

OUTSTANDING FEATURES

Reversing drum action as standard.
Stainless steel drum as standard.
Frequency inverter as standard.

VERSATILITY

Make to order - customisation.
OPL > Coin - Standard OPL model easily trasformable to coin laundry uses.

ERGONOMICS

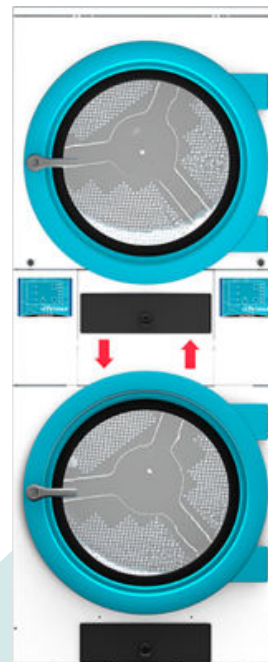
Drawer as fluff filter, stainless steel mesh.
Biggest door diameters.

EASY MAINTENANCE

Hinged control panel: easy and ergonomic access.
Technical menu: statistics for technicians and maintenance with external console.

OTHERS

White painted panels.
COOL DOWN: anti-wrinkle at the end of the cycle.
Filter drawer with wide surface and improved airflow.
Heating options: electric and gas, except DDL-22 T2 gas only.
CE approved



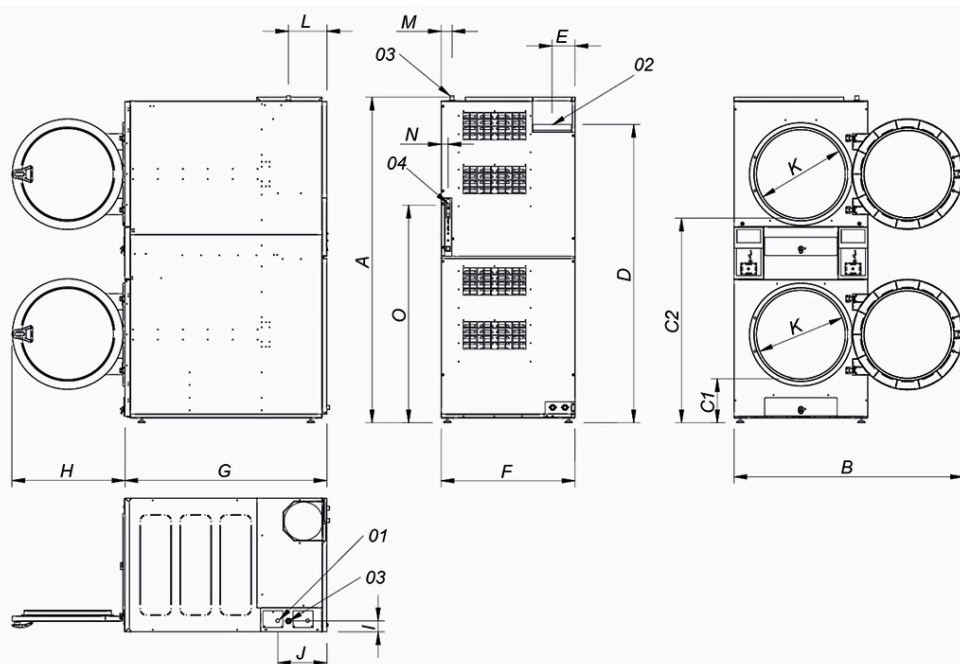
OPTIONS

- Screen in P programmer (2 units)
- Fluff filter with grid 0,3 mm (standard in is 0,6 mm)
- NG gas option (Natural) for DDL
- Maritime wooden packing DDL-22
- 400V III 60Hz 11/14/18/22kg
- 440V/480V III 60Hz 11/14/18/22kg (maritime)
- Several payment systems for self-service

CAPACITY & DRUM		UNIT.	DDL-22 P	
Capacity 1/18		Kg	24,3	
		lb	53,6	
Capacity 1/20		Kg	21,9	
		lb	48,3	
Ø Drum		mm	835	
		inch	32,87	
Drum length		mm	800	
		inch	31,50	
Drum volume		l	440	
		cu ft	15,54	
Ø Door hole		mm	575	
		inch	22,64	
Door center height		mm	547 / 1.618	
		inch	22,60 / 63,70	
Height from floor to bottom of door		mm	286 / 1.330	
		inch	11,26 / 52,36	
ELECTRIC HEATING				
Evaporation capacity		L/h	-	
		US gallon/h	-	
Hourly output		Kg/h	-	
		lb/h	-	
Installed heating power		kW	-	
Installed electrical power		kW	-	
Drum motor power		kW	0,37 x2	
GAS HEATING				
Evaporation capacity (gas model)		L/h	44	
		US gallon/h	11,624	
Hourly output (gas model)		Kg/h	88	
		lb/h	194	
Installed gas heating power		kcal/h	26139 x2	
		Btu/h	103658,5 x2	
Installed gas heating power		kW	30,4 x2	
Installed electrical power		kW	1,94	
Instant propane gas consumption (G31)		Kg/h	2,61 x2	
		lb/h	5,75 x2	
Instant natural gas consumption (G20)		m ³ /h	3,22 x2	
		cfm	1,89 x2	
Ø Gas inlet		BSPP ISO 228-1	3/4"	
VENTILATION				
Fan motor power		kW	0,55 x2	
Nominal air flow rate		m ³ /h	900 x2	
		cfm	529,72 x2	
Ø Fume exhaust		mm	250 x2	
Ø Fume exhaust		inch	9,84 x2	
HEAT EMISSION				
Maximum total heat emission		kW	2,6	
		Btu/h	8876,8	
Max. front heat emission		kW	1,9	
		Btu/h	6486,9	
CONNECTIONS			E	G / S
Tension 230V - I + N + T		Nº x mm ² / A	-	3 x 2,5 / 20A
Tension 230V - III + T		Nº x mm ² / A	-	3 x 2,5 / 20A
Tension 400V - III + N + T		Nº x mm ² / A	-	3 x 2,5 / 20A
NET DIMENSIONS / D. WITH PACKING				
Net / gross width		mm	870 / 950	
		inch	34,25 / 37,40	



Net / gross depth	mm	1.312 / 1.395
	inch	51,65 / 54,92
Net height / gross height without heating	mm	2.118 / 2.250
	inch	83,39 / 88,58
Net / gross weight	Kg	373,5 / 388,5
	lb	823,43 / 856,50
OTHERS		
Sound level	dB	69



- 01. Electric connection
- 02. Fumes outlet ø250
- 03. Gas inlet 3/4
- 04. Ethernet connection (only available control T2 models)

* Measurement with legs mounted (30mm)

	A	B	C1	C2	D	E	F	G	H	I	J	K	L	M	N	O
DDL-22	2118*	1490	286	1330	1940	149	870	1312	735	73	320	575	250	70	45	1416

