



Primer

CL-260/50 T2

Flatwork ironers Ø 500 EXCELLENCE



T2 CONTROL

PRIMERLINK - IoT connectivity as standard.

7" touch screen fully programmable.

37 available languages, 5 preset programs.

USB connection. Free Software online for programming, telemetry, data analysis.

Reversing roll as standard.



EFFICIENCY

Good heat conduction thanks to the roll material and thickness: greater control of energy expenditure.

Automatic shutdown at 80°C (adjustable).

Fumes circulation circuit from the bottom reducing energy consumption.

Model with gas radiant burners: +25% productive.

SMART IRON: automatic regulation of ironing speed according to residual moisture (option).

High production system: ironing speed up to 15 m/min (option).



ROBUSTNESS

Roll driving by speed inverter.

Nomex quality ironing belts: high temperatures resistant.

Panels in Skinplate and stainless steel.

Nickel plate roll: anticorrosive, more durable (option).



ERGONOMICS

Acoustic comfort : <65 dB.

Appropriate operating height: 1120 mm feeding belts.

Compact dimensions.



EASY MAINTENANCE

Easy access to all components on both sides of the machine.

Complete technical menu: statistics, autotest, data recovery for technician and maintenance.

Remote communication: quicker intervention.



OTHERS

Dries and irons flat linen from a high spin washer extractor in a single operation.

Front feeding and return.

Built-in cool down system.

Polished steel roll Ø 500 mm.

Roll length:

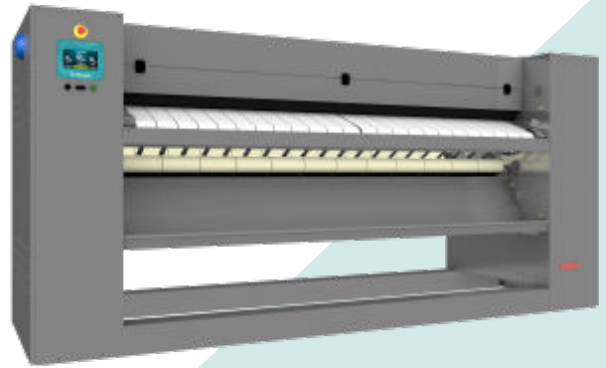
• 2000 mm (CL-200/50)

• 2600mm (CL-260/50)

• 3300mm (CL-330/50).

Electric, radiant or atmospheric gas, steam heating.

CE standard.



OPTIONS

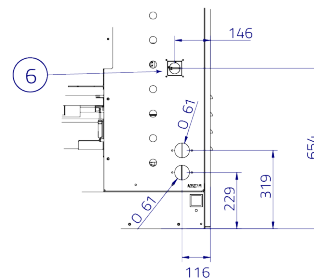
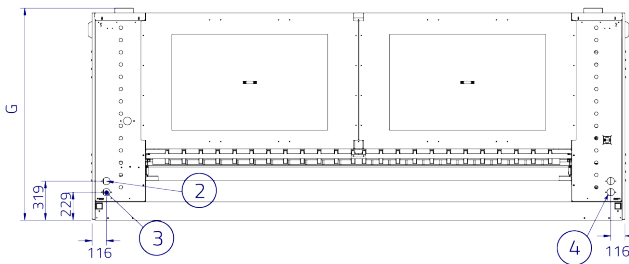
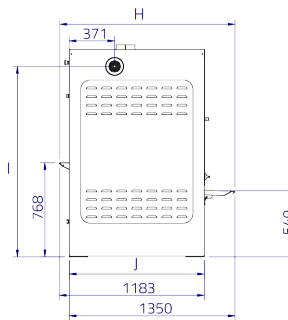
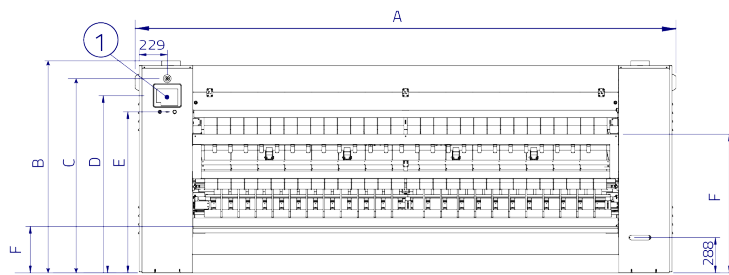
- No drop tray CL-260/50
- Rear exit without folder CL-260/50
- SMART IRON: humidity control
- HPS - HIGH PRODUCTION SYSTEM
- Nickel Plated roll CL-260/50 E/G (not in Steam)
- Gas LPG option (Propan) for radiant gas model
- Gas NG option (Natural Gas) for radiant gas model
- Built-in lengthwise folder CL-260/50 (front exit)
- Built-in lengthfolder + rear and front exit CL-260/50
- Cross folder Ø 500-650 CL-260
- Antistatic belts for CL-260/50 ironers without folder
- Antistatic belts + bar for CL-260/50 ironers with folder
- Maritime wooden packing for CL-260/50
- 230 V III 50-60 Hz CL-260/50 E
- 230 V III 60 Hz CL-260/50 G
- 440 V III 50-60 Hz CL-260/50 E
- 120 V I N 60 Hz Gas CL-260/50 (Gas US)

GENERAL DETAILS	UNIT.	CL-260/50 T2	
Theoretical output Electric, steam and atmo. gas heating* standard mod. front or rear exit	Kg/h	84	
	lb/h	185	
Theoretical output Electric, steam and atmo. gas heating* mod. Folder front exit	Kg/h	59	
	lb/h	130	
Theoretical output Electric, steam and atmo. Gas heating* mod. Folder front and rear exit	Kg/h	55	
	lb/h	120	
Theoretical production Radiant gas heating* mod standard front or rear exit	Kg/h	100	
	lb/l	220	
Theoretical production Radiant gas heating* mod folder front exit	Kg/h	70	
	lb/l	154	
Theoretical production Radiant gas heating* mod folder front and rear exit	Kg/h	65	
	lb/l	143	
Roll Ø	mm	500	
	inch	19,69	
Working width	mm	2.600	
	inch	102,36	
Height floor-feeding belts	mm	1.170	
	inch	46,06	
Working speed standard mod.	m/min	0,5 - 8	
	ft/min	1,6 - 26	
Working speed mod. with folder	m/min	2 - 8	
	ft/min	6,5 - 26	
Electronic control	-	ET2	
No. Programs	-	5	
Lenght folder	-	OPT.	
Rear exit	-	OPT.	
Large surface contact with linen	-	305°	
POWER			
Roll motor power	Kw	0,41	
Fan motor power	Kw	0,5	
Electric mod.: heating power	Kw	40,5	
Electric mod: Total electric power	Kw	41,41	
Gas mod.: heating power	Kw	55	
Gas mod.: total electric power	Kw	0,91	
Steam mod.: heating power	Kw	64	
Steam mod.: total electric power	Kw	0,91	
Steam consumption	Kg/h	67	
Additional electric power standard mod. Rear exit	Kw	0,28	
Additional electric power mod with folder front exit	Kw	0,66	
Additional electric power mod with folder front and rear exit	Kw	0,76	
CONNECTIONS		E	G/S
Tension 230V - I + N + T	Nº x mm² / A	N/A	3 x 2,5 / 10A
	nº x AWG/A	N/A	3 x 13 / 10A
Tension 230V - III + T	Nº x mm² / A	4 x 25 / 125A	4 x 2,5 / 10A
	nº x AWG/A	4 x 3 / 125A	4 x 13 / 10A
Tension 400V - III + N + T	Nº x mm² / A	5 x 16 / 80A	5 x 2,5 / 10A
	nº x AWG/A	5 x 5 / 80A	5 x 13 / 10A
Ø Gas inlet	BSP	1"	
Ø Steam inlet	BSP	3/4"	
Ø Condensed (Steam models)	BSP	1/2"	
OVERALL DIMENSIONS / PACKING DIMENSIONS			
Net width / Gross width	mm	3710 / 3890	
	inch	146,1 / 153,1	
Net depth (with rear exit open) / gross depth	mm	1175 (1480) / 1360	
	inch	46,3 (58,2) / 53,5	
Net height / gross height	mm	1780 / 1940	
	inch	70,1 / 76,4	

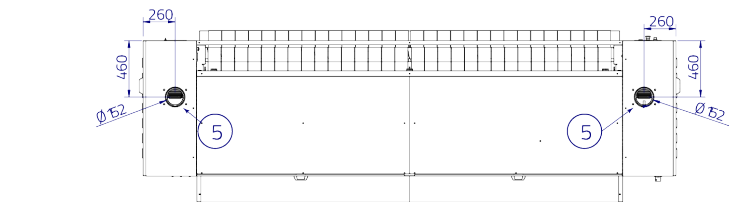


Net weight / gross weight standard mod.	kg	1380 / 1460
	lbs	3042 / 3219
Net weight / gross weight standard mod. with rear exit	kg	1420 / 1500
	lbs	3131 / 3307
Net weight / gross weight mod. Folder front exit	kg	1475 / 1555
	lbs	3252 / 3428
Net weight / gross weight mod. Folder front and rear exit	kg	1535 / 1615
	lbs	3384 / 3560
Net volume (with rear exit) / Gross volume	m ³	7,76 (9,53) / 10,26
	f ³	274 (336,42) / 362
OTHERS		
No. Fume outlet	Nº	2
Ø Fume outlet	mm	153
	inch	6,0
Air Flow	m ³ /h	1.200
	cfm	706
Sound level	dB	65
Evaporation power standard mod.	l/h	45
	USgallon/h	11,9
Evaporation power mod. Folder front exit	l/h	32
	USgallon/h	8,3
Evaporation power mod. Folder front and rear exit	l/h	29
	USgallon/h	7,7

Flatwork ironers Ø 500 EXCELLENCE



1. T2 control panel.
2. Steam outlet $\varnothing 1/2$ " male.
3. Gas inlet $\varnothing 22$ or steam inlet $\varnothing 3/4$ " male.
4. Electric inlet.
5. Steam exhaust $\varnothing 152$.
6. Isolator switch.



	A	B	C	D	E	F	G	H	I	J
CL-2065 / CL-2050	3110	1729	1584	1445	1313	1130	1729	1428	1553	1101
CL-2665 / CL-2650	3710	1729	1584	1445	1313	1130	1729	1428	1553	1101
CL-3365 / CL-3350	4410	1729	1584	1445	1313	1130	1729	1428	1553	1101