



Primer

DDL-18 P

BASIC Stack dryers

P CONTROL

Push buttons to control temperature and time.

OUTSTANDING FEATURES

Reversing drum action as standard.
Stainless steel drum as standard.
Frequency inverter as standard.

VERSATILITY

Make to order - customisation.
OPL > Coin - Standard OPL model easily trasformable to coin laundry uses.

ERGONOMICS

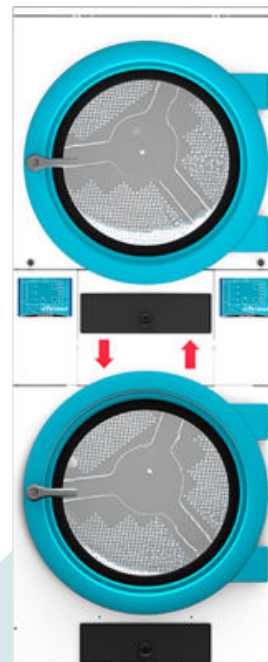
Drawer as fluff filter, stainless steel mesh.
Biggest door diameters.

EASY MAINTENANCE

Hinged control panel: easy and ergonomic access.
Technical menu: statistics for technicians and maintenance with external console.

OTHERS

White painted panels.
COOL DOWN: anti-wrinkle at the end of the cycle.
Filter drawer with wide surface and improved airflow.
Heating options: electric and gas, except DDL-22 T2 gas only.
CE approved



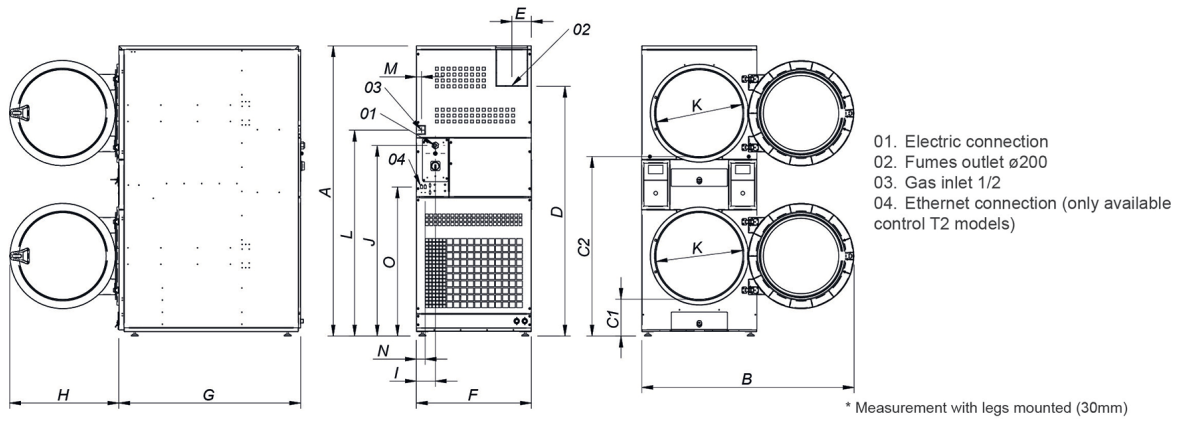
OPTIONS

- Screen in P programmer (2 units)
- Fluff filter with grid 0,3 mm (standard in is 0,6 mm)
- NG gas option (Natural) for DDL
- Maritime wooden packing DDL-18
- 400V III 50Hz 11/14/18kg
- 400V III 60Hz 11/14/18/22kg
- 230V III 60Hz 11/14/18kg G
- 230V III 60Hz 11/14/18kg E
- 440V/480V III 60Hz 11/14/18/22kg (maritime)
- Several payment systems for self-service

CAPACITY & DRUM		UNIT.	DDL-18 P	
Capacity 1/18		Kg	18,3	
		lb	40,4	
Capacity 1/20		Kg	16,5	
		lb	36,3	
Ø Drum		mm	750	
		inch	29,53	
Drum length		mm	746	
		inch	29,37	
Drum volume		l	330	
		cu ft	11,64	
Ø Door hole		mm	574	
		inch	22,60	
Door center height		mm	547 / 1522	
		inch	21,54 / 59,92	
Height from floor to bottom of door		mm	260 / 1.235	
		inch	10,24 / 48,62	
ELECTRIC HEATING				
Evaporation capacity		L/h	18,1	
		US gallon/h	4,78	
Hourly output		Kg/h	36,2	
		lb/h	79,8	
Installed heating power		kW	12 x2	
Installed electrical power		kW	25,34	
Drum motor power		kW	0,37 x2	
GAS HEATING				
Evaporation capacity (gas model)		L/h	18	
		US gallon/h	4,755	
Hourly output (gas model)		Kg/h	36	
		lb/h	79,4	
Installed gas heating power		kcal/h	10327 x2	
		Btu/h	40945,7 x2	
Installed gas heating power		kW	12 x2	
Installed electrical power		kW	1,34	
Instant propane gas consumption (G31)		Kg/h	1,03 x2	
		lb/h	2,27 x2	
Instant natural gas consumption (G20)		m ³ /h	1,27 x2	
		cfm	0,75 x2	
Ø Gas inlet		BSPP ISO 228-1	1/2"	
VENTILATION				
Fan motor power		kW	0,25 x2	
Nominal air flow rate		m ³ /h	500 x2	
		cfm	294,28 x2	
Ø Fume exhaust		mm	200 x2	
Ø Fume exhaust		inch	7,78 x2	
HEAT EMISSION				
Maximum total heat emission		kW	2,4	
		Btu/h	8193,9	
Max. front heat emission		kW	1,68	
		Btu/h	5735,8	
CONNECTIONS			E	G / S
Tension 230V - I + N + T		Nº x mm ² / A	-	3 x 1,5 / 16A
Tension 230V - III + T		Nº x mm ² / A	4 x 25 / 80A	3 x 1,5 / 16A
Tension 400V - III + N + T		Nº x mm ² / A	5 x 10 / 40A	3 x 1,5 / 16A
NET DIMENSIONS / D. WITH PACKING				
Net / gross width		mm	785 / 865	
		inch	30,91 / 34,06	



Net / gross depth	mm	1.242 / 1.325
	inch	48,90 / 52,17
Net height / gross height without heating	mm	1.980 / 2.126
	inch	77,95 / 83,70
Net / gross weight	Kg	290 / 317
	lb	639,34 / 698,87
OTHERS		
Sound level	dB	64



	A	B	C1	C2	D	E	F	G	H	I	J	K	L	M	N	O
DDL-11	1980*	1447	259	1234	1680	135	785	972	735	130	1275	575	1406	35	60	1018
DDL-14	1980*	1447	259	1234	1680	135	785	1106	735	130	1275	575	1406	35	60	1018
DDL-18	1980*	1447	259	1234	1680	135	785	1242	735	130	1275	575	1406	35	60	1018