



FEATURES

Available in 2 screen sizes:

- 32" screen with or without integrated printer.
- 12" screen without integrated printer.

Integration with **PRIMERLINK**.

Easy to install: connect it to the internet via Ethernet.

Total remote control via IoT.

Contactless payments: allows payments by card, mobile, or smart devices (NFC).

Front or rear opening for maintenance:

- For the correct opening of the kiosk door and proper access to the maintenance access to the maintenance of its components, it is necessary to leave a space of 25cm leave a space of 25cm on the left side of the KIOSK.

It can be connected by pulse communication to other equipment (option)*.

*Max. connection: 8 devices with pulse communication per KIOSK.
Requires the option of an "External signal card for pulses."



SIMPLICITY OF USE

1. Select the language.

2. Choose the service: washing, drying or disinfection.

3. Select the machine.

4. Choose the programme of your choice.

5. Pay by card or mobile phone with the **contactless reader**.

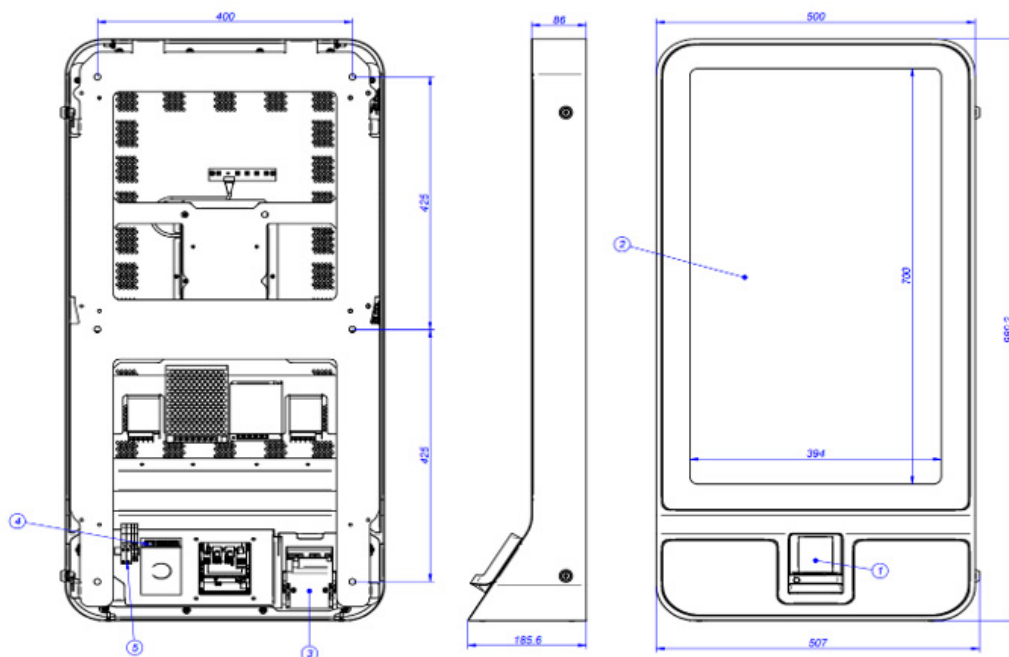


6. Insert the clothes and press START on the chosen machine.

OPTIONS

- External signal card for pulses

	UNIT.	PRIMER LAUNDRY KIOSK 32
GENERAL DATA		
Pulse connection	-	OPT.
Pulse wiring capability	Nº	8
Ethernet connection	-	YES
Customisable graphics (sticker)	-	YES
Possibility of wall installation	-	YES
Maintenance from a back room	-	YES
Printer option	-	YES
CONNECTIONS		
Voltage 230V- I + N +T	Nº x mm ² / A	2 x 1,5 + T - 16A
DIMENSIONS		
Net width / Gross width	mm	507 / 565
Net depth / Gross depth	mm	185,6 / 220
Net height / Gross height	mm	980,2 / 1.050
Net weight / Gross weight	mm	22,5 / 25



- 01. Dataphone
- 02. Screen 31,5"
- 03. Printer (optional)
- 04. Ethernet connection
- 05. Electrical connections

WITH ENABLED REAR ROOM

All wiring concealed and possibility of manipulation of components through the rear.

For this purpose, it is recommended to drill a cavity in the wall respecting the fixing points of the Kiosk anchoring piece.

WITHOUT REAR ROOM

A cable outlet is required at the front, which contains the Ethernet cable, power supply and pulse wiring.

By opening a lock on the side, it is possible to move the whole assembly (leaving only the anchoring piece on the wall) in order to carry out maintenance of the components.