



### ELECTRONIC CONTROL

#### **PN-100/25, PN-120/25, PN-140/25, PN-200/25**

- Digital screen: precise control of temperature.
- Preset ironing speeds, not adjustable.

#### **PN-140/25, PN-200/25 EXCELLENCE**

- Simple and user friendly with an **automatic mode**: automatic management of ironing speed according to the selected temperature.
- Digital speed and temperature display.

### EFFICIENCY

Acoustic comfort: 65 dB max.

Minimum space requirement: space saving, suitable for small spaces.

Ideal for processing small quantity of flat linen in facilities like restaurants, guest rooms, hostels.

### ROBUSTNESS

**Nomex quality coating**: resistant to high temperatures (option, standard on EXCELLENCE).

Panels in grey Skinplate and stainless steel.

Wooden feeding board.

Industrial components, more durable.

### OUTSTANDING FEATURES

Large roll contact area with the linen.

Roll lifting control by pedal or automatic roll lifting control by foot cell detection.

Two available models:

- **Standard**: roll with cotton polyester coating.
- **Nomex**: roll with Nomex coating.

#### **Modelos EXCELLENCE:**

- Large roll contact area with the linen.
- Mode of operation identical to a flatwork ironer: no roll lifting, more ergonomic.
- Models equipped with Nomex belts, suction and variable speed inverter, more productivity.
- Adjustable speed and temperature.

### EASY MAINTENANCE

Easy installation : requires only an electrical connection.

Easy access on both sides for maintenance.

Quick and easy dismantling of bearings.

### OTHERS

Front feeding and return.

Roll Ø 250 mm.

Working widths: 1.000, 1.200, 1.400 and 2.000 mm.

Electric heating.

CE certification.



### OPTIONS

- Pedal control instead of photocell (except mod. EXCELLENCE)
- 230 V I N 50 Hz (except mod. 200 EXCELLENCE)
- 400 N T 60 Hz
- 440 V III 60 Hz No N (maritime)

## GENERAL DETAILS

|  |       |            |
|--|-------|------------|
| Theoretical production: 20-25 humidity | Kg/h  | 25         |
|  | Lb/h  | 55,12      |
| Roll Ø                                 | mm    | 250        |
|  | inch  | 9,84       |
| Working width                          | mm    | 1.000      |
|  | inch  | 39,37      |
| Working speed                          | m/min | 4.2        |
|  | ft/mn | 13,77      |
| Electronic control                     | -     | YES        |
| Chest motion                           | -     | Automático |

## POWER

|                      |    |      |
|----------------------|----|------|
| Heating power        | Kw | 4,95 |
| Roll motor power     | Kw | 0,18 |
| Total electric power | Kw | 5,13 |

## CONNEXIONS

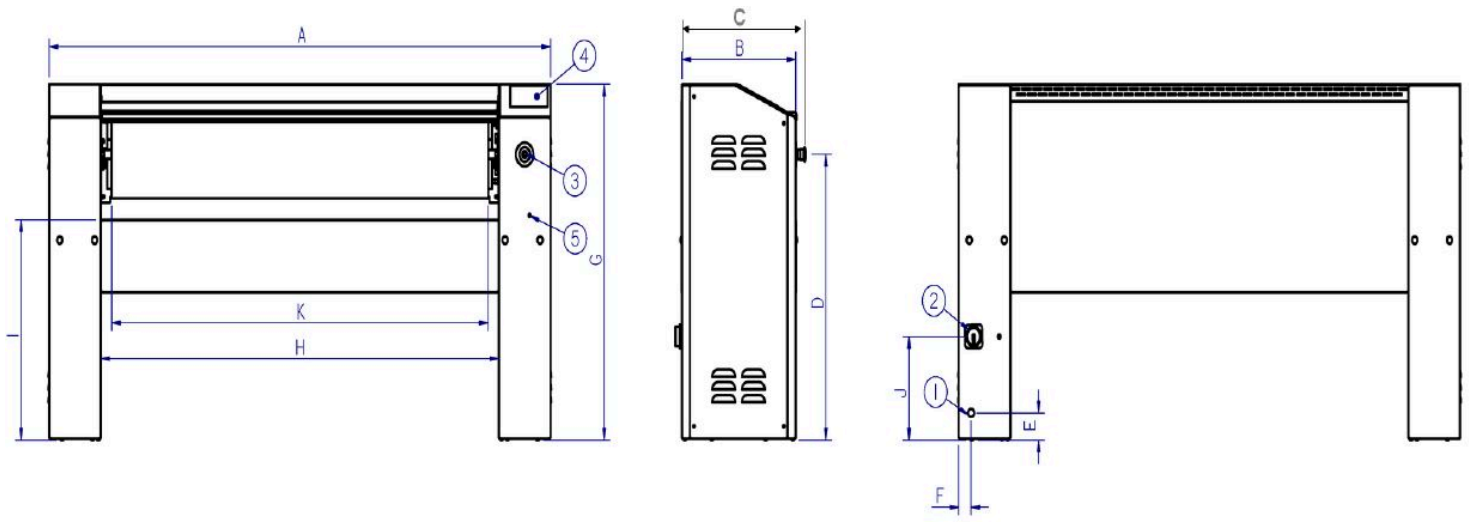
|                           |            |               |
|---------------------------|------------|---------------|
| Tension 230 V I + N + T   | n° x mm²/A | 3 x 6 / 25A   |
|                           | n° x AWG/A | 3 x 9 / 25A   |
| Tension 230 V III + T     | n° x mm²/A | 4 x 2,5 / 16A |
|                           | n° x AWG/A | 4 x 13 / 16A  |
| Tension 400 V III + N + T | n° x mm²/A | 5 x 2,5 / 10A |
|                           | n° x AWG/A | 5 x 13 / 10A  |

## DIMENSIONS

|                          |      |                 |
|--------------------------|------|-----------------|
| Net / gross width        | mm   | 1.462 / 1.490   |
|                          | inch | 57,56 / 58,66   |
| Net / gross depth        | mm   | 484 / 540       |
|                          | inch | 19,06 / 21,26   |
| Net / gross height       | mm   | 985 / 1.130     |
|                          | inch | 38,78 / 44,49   |
| Net / gross weight gross | Kg   | 114 / 124       |
|                          | Lb   | 251,33 / 273,37 |
| Net / gross volume gross | m³   | 0,69 / 0,91     |
|                          | ft³  | 24,37 / 32,14   |

## OTHERS

|                 |      |    |
|-----------------|------|----|
| No. Fume outlet | Nº   | -  |
| Ø Fume outlet   | mm   | -  |
|                 | inch | -  |
| Air flow        | m³/h | -  |
|                 | cfm  | -  |
| Noise Level     | dB   | 55 |



- 01. Electrical connection
- 02. Main switch
- 03. Emergency stop
- 04. Control panel
- 05. access to inverter maintenance

|           | A     | B   | C   | D   | E  | F  | G   | H     | I   | J   | K     |
|-----------|-------|-----|-----|-----|----|----|-----|-------|-----|-----|-------|
| PN-100/25 | 1.462 | 423 | 484 | 791 | 75 | 45 | 985 | 1.079 | 610 | 287 | 998   |
| PN-120/25 | 1.662 | 423 | 484 | 791 | 75 | 45 | 985 | 1.279 | 610 | 287 | 1.198 |
| PN-140/25 | 1.862 | 423 | 484 | 791 | 75 | 45 | 985 | 1.479 | 610 | 287 | 1.398 |
| PN-200/25 | 2.462 | 423 | 484 | 791 | 75 | 45 | 985 | 2.079 | 610 | 287 | 1.998 |