



Primer

LCA-35 T2

Barrier washers 27-70 kg



T2 CONTROL

7" touch screen easy to use and fully programmable, display on dirty side.
 Screen on both sides of the machine.
 Connection USB. Free software online for programming, telemetry, data analysis, etc.
 37 languages.
 8 dosing signals as standard.



OUTSTANDING FEATURES

Automatic positioning of drum.
 2 water inlets.
 Wet Cleaning, telemetry standard.
 G-FACTOR 325 (100kg), 350 (16, 22kg), 375 (27, 35, 50, 70kg).
 Heating: electric, steam, and dual heating model (electric + steam).



EFFICIENCY

Intelligent consumption: automatic adjustment of water and soap consumptions (standard).
 Optimal loading: manual indication of weight.
 Water Recovery tanks ready: **SAVETANK XL**.
 Low water consumption.
 High G FACTOR: reduced residual moisture > reduced drying time.



CONNECTIVITY

IoT - PRIMERLINK standard.
 Remote technical service.
 Laundry management.



ERGONOMICS

Huge door opening making loading/unloading easier.
 Easy friendly drum opening by push button.
 Loading height (door base): Ø 640 (16, 22 kg), Ø 800 (27, 35, 50, 70 kg)



EASY MAINTENANCE

Electric components on the left side, mechanical components on the right side and connections on the top (protected from water and detergents).
 Central drain as standard.
 Technical menu: statistics, alarms, autotest, data recovery for technicians and maintenance.



OTHERS

2 opposed doors. Pass-through barrier washer.
 Ready to be connected to dosing pumps.
 Grey skinplate outer casing.
 Drum and vat in stainless steel AISI 304.
 Frequency inverter to control imbalance.
 CE approved product.



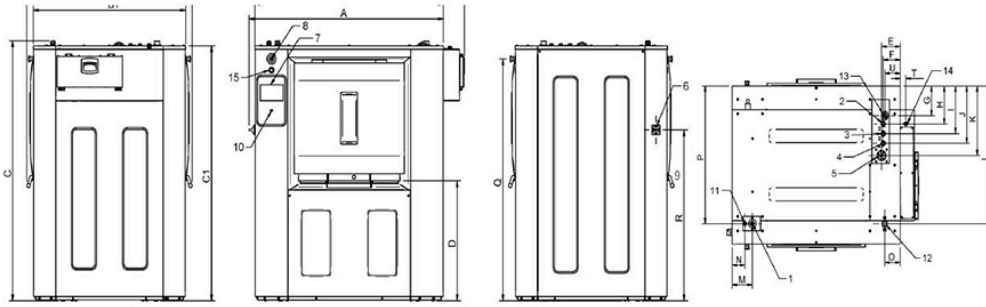
OPTIONS

- License IoT - PrimerLink
- Inner door open sensor LCA-27/35/50
- Inner door open sensor LCA-70
- Version with one door LCA-35
- Pullman drum for LCA-35
- Weighing sensor system on feet LCA-27 / 35 / 50. Includes kit with 6 extra dosing signals
- 6 extra dosing signals card
- 2nd drain valve
- Ready for SAVETANK XL conn. 1" for barriers for LCA-35
- Water sampling
- Side drain valve
- Low steam pressure
- 4 compartments detergent box
- UPS option (in case of power failure)
- End of cycle light alarm
- Plinth to align the doorbase at 850mm LCA-35
- Stainless steel AISI 304 outer casing for LCA-35
- Maritime wooden packing for LCA-35
- Tension 230 III 50/60 Hz LCA-35
- Stainless steel frame for LCA-35
- maritime voltage 440 V III 50/60 Hz
- STEEL FRAME LCA-35 equipped with loading base

DRUM	UNIT.	LCA-35 T2	
Load capacity 1:9	Kg	38,8	
	lb	85,5	
Load capacity 1:10	Kg	35	
	lb	77,2	
Volume	l	347	
	ft ³	12,25	
Diameter	mm	800	
	inch	31,5	
Depth	mm	690	
	inch	27,2	
Drum compartments	Nº	1	
GENERAL DETAILS			
Washing speed	rpm	45	
Spining speed	rpm	920	
G-Factor	-	375	
T2 Control	-	7"	
Double screen	-	STD	
Motor break	-	STD	
Double drainage	-	OPT	
DOOR			
Drum opening dimensions	mm	640 x 515	
	inch	25.2 x 20.3	
Vat opening dimensions	mm	700 x 650	
	inch	27.5 x 25.6	
Height door bottom	mm	800	
	inch	31,5	
POWER			
Motor	kW	4	
Electric heating (elec. mod)	kW	27	
Total electric power (elec. mod)	kW	31	
Total electric power (steam mod)	kW	4	
CONNECTIONS		E/DUAL	S
Tension 230V I + N + T 50/60Hz	Nº x mm ² /A	-	-
Tension 230V III + T 50/60Hz	Nº x mm ² /A	4 x 16 / 80A	4 x 2,5 / 16A
Tension 400V III + N + T 50/60Hz	Nº x mm ² /A	5 x 10 / 50A	5 x 2,5 / 10A
Water inlets number	-	3	
Water inlet	inch	3/4"	
Water pressure	bar	3 - 5	
	psi	43 - 72	
Steam inlet (steam mod)	inch	3/4"	
Steam pressure	bar	4-8	
	psi	58-116	
Drain number	-	1	
Drain evacuation capacity	l/min	160	
	cfm	5,65	
Drain	inch	3"	
OVERALL DIMENSIONS			
Net / Gross width	mm	1.422 (1.574) / 1.608	
	inch	56 (62) / 63,3	
Net / Gross depth	mm	1.195 / 1.300	
	inch	47 / 51,2	
Net / Gross height	mm	1.615 / 1.720	
	inch	63,6 / 67,7	
Net / Gross weight	kg	926 / 946	
	lb	2.041 / 2.085,6	



Volume	m ³	3,60
	ft ³	127,0



- 01. Electrical connexion
- 02. Cold water inlet
- 03. Soft water inlet
- 04. Hot water inlet
- 05. Liquid products inlet
- 06. Main switch
- 07. Control panel
- 08. Emergency stop
- 09. Door opening
- 10. USB port
- 11. Dosing pumps connexion
- 12. Steam inlet
- 13. Exhaust
- 14. Cold water for detergents box

	A	B	C	A1	B1	C1	D	E	F	G	H	I	J	K	L	M	N	O	P	Q	R	S	T	U
LCA-27	1244	1193	1612	1201	1098	1581	745	152	138	206	263	330	397	482	956	163	103	126	956	1499	1059	1350	45	125
LCA-35	1402	1193	1612	1359	1098	1581	745	152	138	206	263	330	397	482	956	163	103	126	956	1499	1059	1508	45	125
LCA-50	1697	1193	1612	1654	1098	1581	745	152	138	206	263	330	397	482	956	163	103	126	956	1499	1059	1803	45	125

