



### T2 CONTROL

User friendly and totally programmable 7" T2.  
 USB Connection.  
 Online platform free of charge for programming, telemetry, data analysis...thanks to the IoT.  
 Videos on display (ads, instructions, etc.).  
 37 languages.



### OUTSTANDING FEATURES

Reversing drum action as standard.  
 Stainless steel drum as standard.  
 Frequency inverter as standard.



### EFFICIENCY

SMART DRY: Intelligent humidity control with a new drum inlet temperature control.  
 AIR RECOVERY SYSTEM: Efficient air recirculation system  
 INSULATED PANEL: Complete air-flow circuit and double glass in the door.  
 FULL FLOW: Optimized system of mixed airflow.  
 Big fluff filter.



### CONNECTIVITY

IoT - **PRIMERLINK** standard.  
 Management of laundries.



### VERSATILITY

Make to order: Customisation.  
 Wet Cleaning.



### ERGONOMICS

Drawer as fluff filter, stainless steel mesh.  
 Biggest door diameters.  
 Opening sense of door adjustable on site.



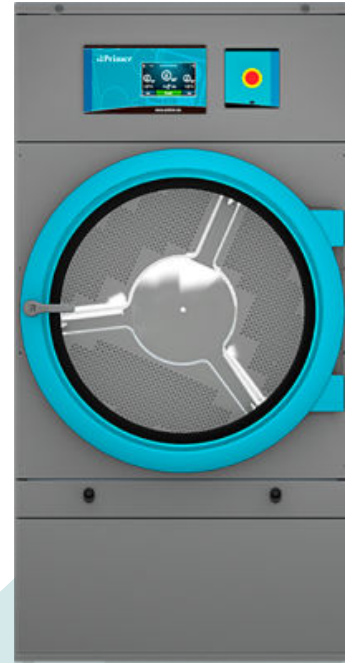
### EASY MAINTENANCE

Hinged control panel: easy and ergonomic access.  
 Technical menu: statistics for technicians.



### OTHERS

Grey skinplate outer casing, stainless steel look.  
 Integrated Fire Extinguishing System.  
 EFFICIENT DRUM: the new drum with stamped holes.  
 COOL DOWN: anti-wrinkle at the end of the cycle.  
 Heating options: electric, gas and steam.  
 CE approved.



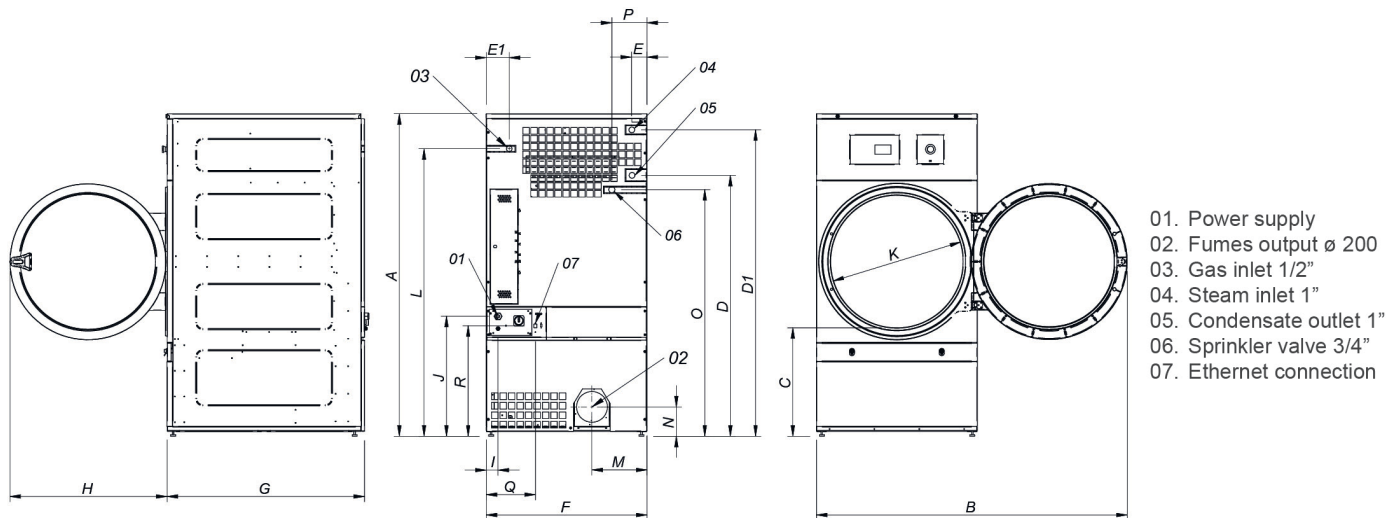
### OPTIONS

- License IoT - PrimerLink
- Opposite door opening DE-11 to 35
- Tropicalized model
- Perfume dosage
- Back panel with air filter DE-11 to 35
- Fluff filter with grid 0,6mm (standard is 0,3mm)
- Fluff filter with grid 1,2mm (standard is 0,3mm)
- Stainless steel front and side panels DE-28
- Front panel in stainless steel DE-28/35
- Steam battery in stainless steel DE-28/35
- Low pressure steam battery DE-28/35
- NG gas option (Natural)
- 400 V III N 60 Hz DE-11 to 35
- 230 V III 50 Hz DE-22/28/35 E
- 230 V III 60 Hz DE-22/28/35 E
- 230 V III 60 Hz DE-11 to 35 G/S
- 440/480V III 60 Hz DE-22/28/35
- Maritime wooden packing DE-28

CAPACITY & DRUM		UNIT.	DE-28 T2
Capacity 1/18		Kg	30,6
		lb	67,3
Capacity 1/20		Kg	27,5
		lb	60,6
Ø Drum		mm	947
		inch	37,28
Drum length		mm	780
		inch	30,71
Drum volume		l	550
		cu ft	19,42
Ø Door hole		mm	802
		inch	31,57
Door center height		mm	1.040
		inch	40,94
Height from floor to bottom of door		mm	578
		inch	22,74
ELECTRIC HEATING			
Evaporation capacity		L/h	26,80
		US gallon/h	7,1
Hourly output		Kg/h	51,60
		lb/h	113,8
Installed heating power		kW	30
Installed electrical power		kW	31,35
Drum motor power		kW	0,55
GAS HEATING			
Evaporation capacity (gas model)		L/h	31,80
		US gallon/h	8,401
Hourly output (gas model)		Kg/h	61,10
		lb/h	134,7
Installed gas heating power		kcal/h	35276
		Btu/h	139986,5
Installed gas heating power		kW	41
Installed electrical power		kW	1,35
Instant propane gas consumption (G31)		Kg/h	3,51
		lb/h	7,74
Instant natural gas consumption (G20)		m <sup>3</sup> /h	4,34
		cfm	2,55
Ø Gas inlet		BSPP ISO 228-1	1/2"
STEAM HEATING			
Installed steam heating power		kW	50,10
		Btu/h	170948
Installed electrical power		kW	1,35
Steam consumption (8 barG) - Standard		kg/h	89
Steam consumption (116 psiG)		lb/h	107,2
Steam pressure		barG	6 - 9
		psiG	87 - 130,5
Standard steam inlet - outlet		BSPT- ISO7.1	1"
Standard steam inlet - outlet		NPT ANSI B1.20.1 Tapered	1"
Steam consumption (5 barG) - Low Pressure		kg/h	93
Steam consumption (72,5 psiG) - Low Pressure		lb/h	112
Steam pressure (low pressure)		barG	3 - 6
		psiG	43,5 - 96
Low pressure steam inlet - outlet		BSPT- ISO7.1	1" 1/2
THERMAL OIL HEATING			
Installed heating power		kW	-
Installed electrical power		kW	-
Fluid consumption (T max 175°C)		m <sup>3</sup> /h	-



Thermal oil connection	BSP	-	
<b>VENTILATION</b>			
Fan motor power	kW	0,75	
Nominal air flow rate	m <sup>3</sup> /h	1.500	
	cfm	882,87	
Ø Fume exhaust	mm	200	
Ø Fume exhaust	inch	7,87	
<b>HEAT EMISSION</b>			
Maximum total heat emission	kW	2,4	
	Btu/h	8193,9	
Max. front heat emission	kW	1,5	
	Btu/h	5121,2	
<b>CONNECTIONS</b>		<b>E</b>	<b>G / S</b>
Tension 230V - I + N + T	Nº x mm <sup>2</sup> / A	-	3 x 1,5 / 16A
Tension 230V - III + T	Nº x mm <sup>2</sup> / A	4 x 35 / 100A	3 x 1,5 / 16A
Tension 400V - III + N + T	Nº x mm <sup>2</sup> / A	5 x 16 / 63A	3 x 1,5 / 16A
<b>NET DIMENSIONS / D. WITH PACKING</b>			
Net / gross width	mm	985 / 1.065	
	inch	38,78 / 41,93	
Net / gross depth	mm	1.054 / 1.154	
	inch	41,50 / 45,43	
Net height / gross height without heating	mm	1.975 / 2.080	
	inch	77,76 / 81,89	
Net / gross weight	Kg	230 / 260	
	lb	507,06 / 573,20	
<b>OTHERS</b>			
Sound level	dB	65	



\* Measurement with legs mounted (30mm)

	A	B	C	D	D1	E	E1	F	G	H	I	J	K	L	M	N	O	P	Q	R
DE-28	1975*	1910	660	1590	1875	102	130	985	1054	970	70	730	802	1760	337	178	1510	215	301	676
DE-35	1975*	1910	660	1590	1875	102	130	985	1210	970	70	730	802	1760	337	178	1510	215	301	676

