



# Primer

## DO-35 T2

## OPTIMA dryers

### T2 CONTROL

User friendly and totally programmable 7" T2.  
USB Connection.  
Online platform free of charge for programming, telemetry, data analysis...thanks to the IoT.  
Videos on display (ads, instructions, etc.).  
37 languages.

### OUTSTANDING FEATURES

Reversing drum action as standard.  
Stainless steel drum as standard.  
Frequency inverter as standard.

### EFFICIENCY

DUAL AIRFLOW: Optimized system of mixed airflow.  
Big fluff filter.

### CONNECTIVITY

**IoT - PRIMERLINK standard.**  
Managemnt of laundries: OPL and COIN.  
Remote payment (self-service) on models from 11 to 35 kg.

### VERSATILITY

Make to order: customisation.  
Wet Cleaning.  
OPL > Multivending - Standard OPL model easily trasformable to coin laundry uses (11-35 kg).

### ERGONOMICS

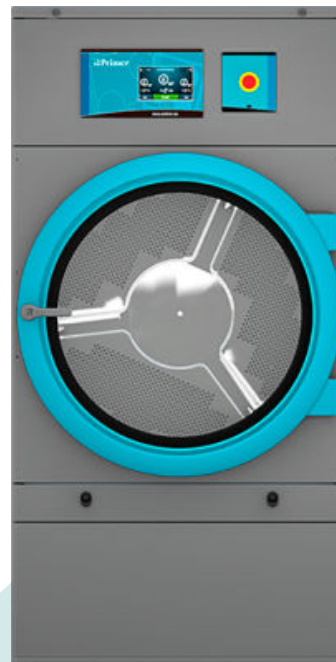
Drawer as fluff filter, stainless steel mesh.  
Biggest door diameters.  
Opening sense of door adjustable on site.

### EASY MAINTENANCE

Hinged control panel: easy and ergonomic access.  
Technical menu: statistics for technicians.  
Easy access to parts for reparability.

### OTHERS

Grey skinplate outer casing, stainless steel look.  
EFFICIENT DRUM: the new drum with stamped holes.  
COOL DOWN: anti-wrinkle at the end of the cycle.  
Heating options: electric, gas and steam.  
CE approved.



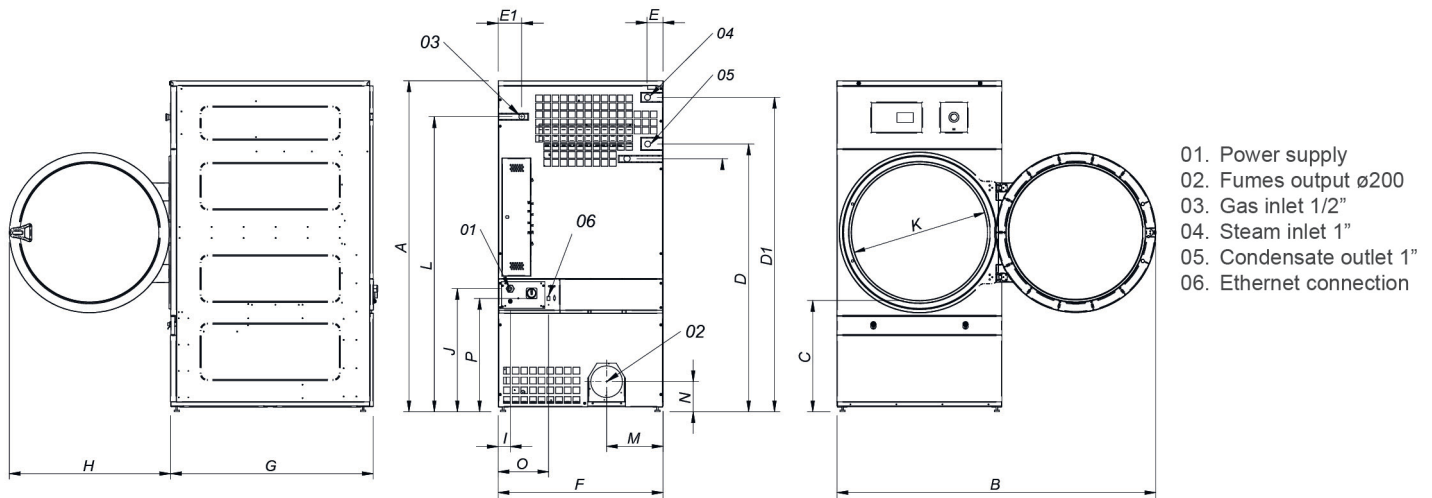
### OPTIONS

- License IoT - PrimerLink
- Humidity control SMART DRY
- Double doorglass DO-28/35/45/60/80
- Fire extinguisher DO-35
- Opposite door opening DO-11 to 35
- Tropicalized model
- Perfume dosage
- Back panel with air filter DO-11 to 35
- Fluff filter with grid 0/6 mm (standard is 0/3 mm)
- Fluff filter with grid 1/2 mm (standard is 0/3 mm)
- Stainless steel front and side panels DO-35
- Front panel in stainless steel DO-28/35
- Steam battery in stainless steel DO-28/35
- Low pressure steam battery DO-28/35
- Maritime wooden packing DO-35
- NG gas option (Natural)
- 400 V III N 60 Hz DO-11 to 35
- 220 V III 50 Hz DO-22/28/35 E
- 220 V III 60 Hz DO-22/28/35 E
- 220 V III 60 Hz DO-11 to 35 G/S
- 440/480 V III 60 Hz DO-22/28/35
- Several payment systems for self-service

CAPACITY & DRUM	UNIT.	DO-35 T2
Capacity 1/18	Kg	36,7
	lb	80,8
Capacity 1/20	Kg	33
	lb	72,8
Ø Drum	mm	947
	inch	37,28
Drum length	mm	936
	inch	36,85
Drum volume	l	660
	cu ft	23,30
Ø Door hole	mm	802
	inch	31,57
Door center height	mm	1.040
	inch	40,94
Height from floor to bottom of door	mm	578
	inch	22,74
ELECTRIC HEATING		
Evaporation capacity	L/h	31,1
	US gallon/h	8,2
Hourly output	Kg/h	60
	lb/h	132,3
Installed heating power	kW	36
Installed electrical power	kW	37,15
Drum motor power	kW	0,55
GAS HEATING		
Evaporation capacity (gas model)	L/h	32,1
	US gallon/h	8,480
Hourly output (gas model)	Kg/h	63,9
	lb/h	140,9
Installed gas heating power	kcal/h	35276
	Btu/h	139986,5
Installed gas heating power	kW	41
Installed electrical power	kW	1,15
Instant propane gas consumption (G31)	Kg/h	3,51
	lb/h	7,74
Instant natural gas consumption (G20)	m <sup>3</sup> /h	4,34
	cfm	2,55
Ø Gas inlet	BSPP ISO 228-1	1/2"
STEAM HEATING		
Installed steam heating power	kW	50,1
	Btu/h	170948
Installed electrical power	kW	1,15
Steam consumption (8 barG) - Standard	kg/h	89
Steam consumption (116 psiG)	lb/h	107,2
Steam pressure	barG	6 - 9
	psiG	87 - 130,5
Standard steam inlet - outlet	BSPT- ISO7.1	1"
Standard steam inlet - outlet	NPT ANSI B1.20.1 Tapered	1"
Steam consumption (5 barG) - Low Pressure	kg/h	93
Steam consumption (72,5 psiG) - Low Pressure	lb/h	112
Steam pressure (low pressure)	barG	3 - 6
	psiG	43,5 - 97
Low pressure steam inlet - outlet	BSPT- ISO7.1	1" 1/2
THERMAL OIL HEATING		
Installed heating power	kW	-
Installed electrical power	kW	-
Fluid consumption (T max 175°C)	m <sup>3</sup> /h	-



Thermal oil connection	BSP	-	
<b>VENTILATION</b>			
Fan motor power	kW	0,55	
Nominal air flow rate	m <sup>3</sup> /h	1.200	
	cfm	706,29	
Ø Fume exhaust	mm	200	
Ø Fume exhaust	inch	7,87	
<b>HEAT EMISSION</b>			
Maximum total heat emission	kW	2,88	
	Btu/h	12290,9	
Max. front heat emission	kW	2,52	
	Btu/h	8603,6	
<b>CONNECTIONS</b>			
Tension 230V - I + N + T	Nº x mm <sup>2</sup> / A	-	3 x 1,5 / 16A
Tension 230V - III + T	Nº x mm <sup>2</sup> / A	4 x 50 / 125A	3 x 1,5 / 16A
Tension 400V - III + N + T	Nº x mm <sup>2</sup> / A	5 x 16 / 63A	3 x 1,5 / 16A
<b>NET DIMENSIONS / D. WITH PACKING</b>			
Net / gross width	mm	985 / 1.065	
	inch	38,78 / 41,93	
Net / gross depth	mm	1.210 / 1.310	
	inch	47,64 / 51,57	
Net height / gross height without heating	mm	1.975 / 2.080	
	inch	77,76 / 81,89	
Net / gross weight	Kg	260 / 285	
	lb	573,20 / 628,32	
<b>OTHERS</b>			
Sound level	dB	65	



\* Measurement with legs mounted (30mm)

	A	B	C	D	D1	E	E1	F	G	H	I	J	K	L	M	N	O	P
DO-28	1975*	1910	660	1590	1875	102	130	985	1054	970	70	730	802	1760	337	178	301	676
DO-35	1975*	1910	660	1590	1875	102	130	985	1210	970	70	730	802	1760	337	178	301	676

