



Primer

RS-80C T2

Low spin washers

T2 CONTROL

User friendly and totally programmable 7".
USB Connection. Online platform free of charge for programming, telemetry, data analysis...thanks to the IoT.
Videos on display (ads, instructions, etc.).
37 languages.
8 dosing signals as standard.

G FACTOR

FACTOR G 200: 11 - 45 kg.
FACTOR G 150: 60 - 80 kg.

CONNECTIVITY

PRIMERLINK - Standard and free IoT connectivity.
Remote technical service.
Management of laundries: OPL.
Remote payment.

EFFICIENCY

Intelligent consumption: automatic adjustment of water and soap consumptions (standard).
OPTIMAL KG: manual indication of weight.
Low water consumption.

VERSATILITY

Make to order: customisation.
OPL < > Self-service.
Electric < > Hot water.
Wet Cleaning.

ERGONOMICS

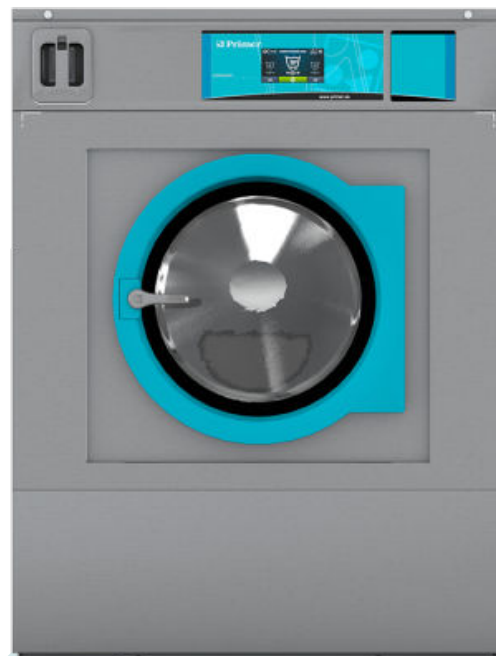
Easy opening/closing system for door lock.
Biggest door diameters:
• Ø 373 (11, 14 kg)
• Ø 460 (18, 22, 28 kg)
• Ø 560 (35, 45, 60, 80kg)

EASY MAINTENANCE

Hinged control panel: easy and ergonomic access.
Technical menu: statistics for technicians.
Equivalent parts for all models: electronic parts, contactors.

OTHERS

Hard mounted washers.
Anchoring to floor with anchoring base.
Panels in skinplate.
Drum and vat in stainless steel AISI 304.
3 water inlets.
CB and WRAS approved product. Option ETL.
REG4 standard certified by KIWA.



OPTIONS

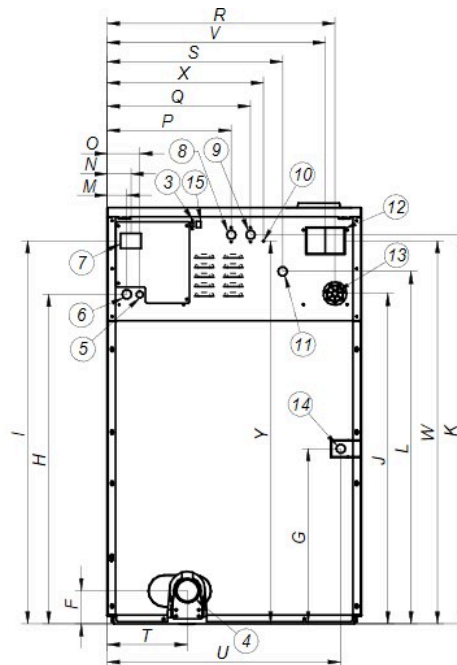
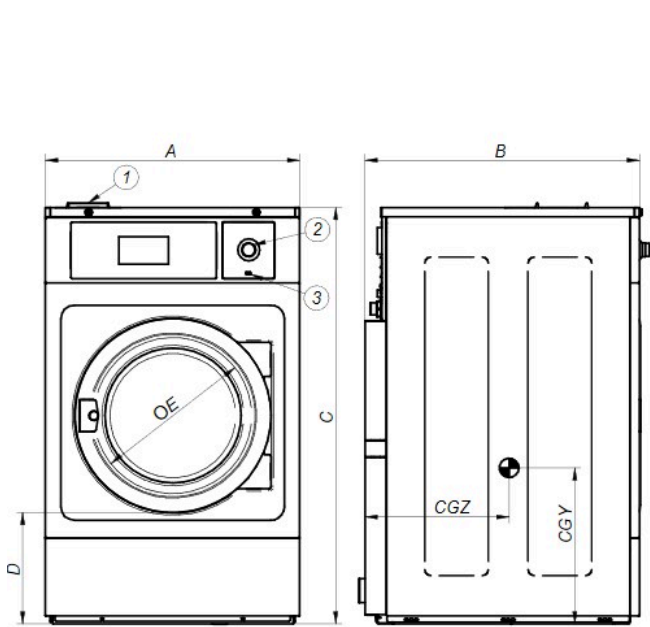
- License IoT - PrimerLink
- DQ-2 Dosing pump kit. 2 pumps with guide support.
- Extra detergent dosage DB-1
- Fixation base RS-80C
- Double drain kit for RS-60C/80C
- Ready for SAVETANK XL conn. 1" for washers LS/RS-60C/80C
- Normally closed valve RS-60C/80C
- Water inlet hose for RS-60C/80C (one per water intake)
- 6 extra dosing signals card RS-60C / 80C
- Reversible door: reverse door opening
- Tropicalized model: protected board (T2)
- Kit to transform an E or HW RS-60C/80C
- Stainless steel outer casing RS-80C
- Stainless steel AISI 304 top and front panel for DLS-80C
- 440 V III No N 50/60 Hz RS-80C
- 230 V III 50/60 Hz RS-80C
- Several payment systems for self-service

DRUM	UNIT.	RS-80C T2	
Capacity 1/9	Kg	85	
Capacity 1/10	Kg	77	
Volume	l	770	
Diameter	mm	1.048	
Depth	mm	936	
GENERAL DETAILS			
Washing speed / Spining speed	r.p.m.	42,5 / 505	
G Factor	-	150	
Maximum force transmitted	KN	10,17 ±15	
Frequency-dynamic force	Hz	6,93	
Noise level	dB	< 70	
Coin laundry version	-	YES	
Double drain	-	OPT.	
Weighing system / Tilting door	-	NO	
		NO	
SLUICE option	-	YES	
DOOR			
Height center door / Height door	mm	900 / 540	
Diameter	mm	560	
POWER			
Motor	kW	7,5	
Electric heating power	kW	48/36***	
Total electric power (electric model)	kW	50,5/38,5***	
Total electric power (hw, steam model)	kW	7,5	
CONNECTIONS		E	HW/S
Tension 110V - I + N + T	Nº x mm ² / A	-	-
Tension 230V - I + N + T	Nº x mm ² / A	-	-
Tension 230V - III + T	Nº x mm ² / A	3x25+T - 100A	3x4+T - 32A
Tension 400V - III + N + T	Nº x mm ² / A	4x25+T - 80A	4x4+T - 20A
Steam inlet (Steam model)	inch	3/4"	3/4"
Maximum steam consumption (Steam model)	Kg/h	21	
Water inlet	inch	1"	
Water main pressuer	Kg/cm ²	2-4	
Maximum water consumption*	l / h	814,5**	
Drain	mm/inch	3"	
Drainage capacity	l / min	200	
DIMENSIONS / PACKING DIMENSIONS			
Net Width/Gross width	mm	1.225 / 1.335	
Net Depth/Gross depth	mm	1.492 / 1.660	
Net Height / Gross height	mm	1.640 / 1.860	
Net weight / Gross weight	kg	871 / 963	
Volume	m ³	4,12	

* Program nº20, 75% load

** Program nº2, 100% load





1. Soap dispenser
2. Emergency stop
3. USB port
4. Drain 1
5. Drain 2
6. Electric connection to liquid soap pumps
7. Electrical connection
8. Main switch
9. Auxiliar water inlet
10. Hot water inlet
11. Equipotential connection
12. Cold water inlet
13. Steam output
14. Liquid soap connection
15. Steam connection
16. Air intake
17. Ethernet port

		A	B	C	D	E	F	G	H	I	J	K	L	M	N	O	P	Q	R	S	T	U	V	W	X	Y	CGY	CGZ
RS-80C	mm	1.225	1.492	1.640	540	560	115	984	1.368	1.536	1.306	1.551	1.318	61	74	101	651	731	1.110	869	318	1.163	1.080	1.470	992	1.595	644	750
	inch	48,23	58,74	64,57	21,26	22,05	4,53	38,74	53,86	60,47	51,42	61,06	51,89	2,40	2,91	3,98	25,63	28,78	43,70	34,21	12,52	45,79	42,52	57,87	39,06	62,80	25,35	29,53