



Primer

RS-14 T2

Low spin washers

T2 CONTROL

User friendly and totally programmable 7".
USB Connection. Online platform free of charge for programming, telemetry, data analysis...thanks to the IoT.
Videos on display (ads, instructions, etc.).
37 languages.
8 dosing signals as standard.

G FACTOR

FACTOR G 200: 11 - 45 kg.
FACTOR G 150: 60 - 80 kg.

CONNECTIVITY

PRIMERLINK - Standard and free IoT connectivity.
Remote technical service.
Management of laundries: OPL.
Remote payment.

EFFICIENCY

Intelligent consumption: automatic adjustment of water and soap consumptions (standard).
OPTIMAL KG: manual indication of weight.
Low water consumption.

VERSATILITY

Make to order: customisation.
OPL < > Self-service.
Electric < > Hot water.
Wet Cleaning.

ERGONOMICS

Easy opening/closing system for door lock.
Biggest door diameters:
• Ø 373 (11, 14 kg)
• Ø 460 (18, 22, 28 kg)
• Ø 560 (35, 45, 60, 80kg)

EASY MAINTENANCE

Hinged control panel: easy and ergonomic access.
Technical menu: statistics for technicians.
Equivalent parts for all models: electronic parts, contactors.

OTHERS

Hard mounted washers.
Anchoring to floor with anchoring base.
Panels in skinplate.
Drum and vat in stainless steel AISI 304.
3 water inlets.
CB and WRAS approved product. Option ETL.
REG4 standard certified by KIWA.



OPTIONS

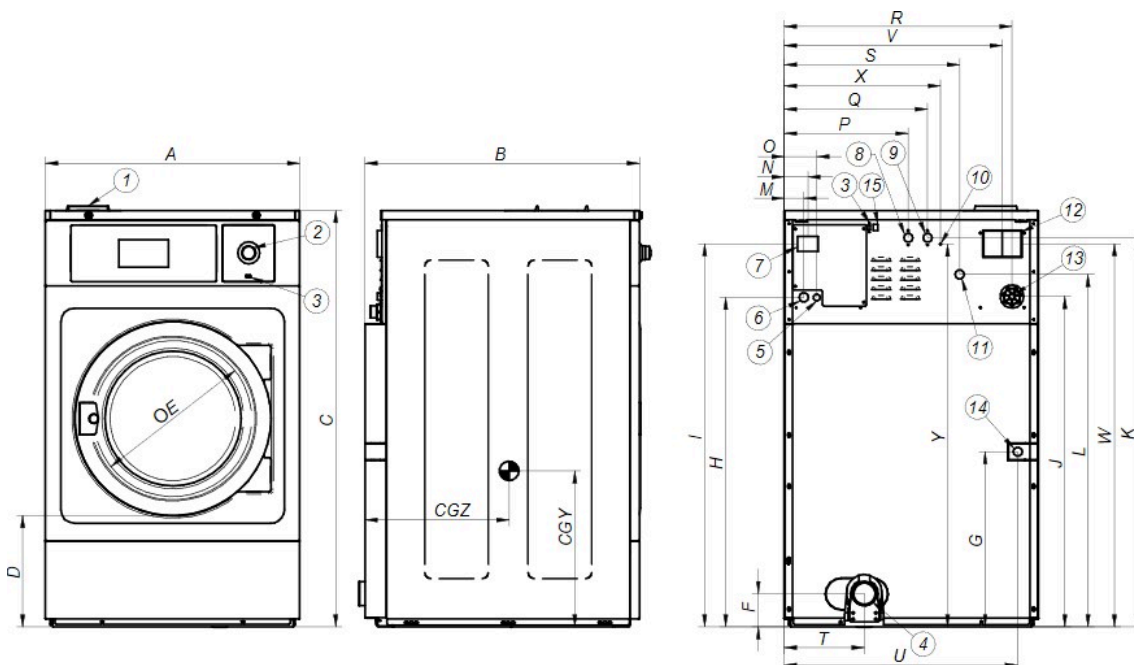
- License IoT - PrimerLink
- DQ-2 Dosing pump kit. 2 pumps with guide support.
- Extra detergent dosage DB-1
- SLUICE - Drum with Ø 8 mm holes RS-14
- Fixation base RS-14
- 3" EXTERNAL double drain kit (recom. for RS-11/14)
- Ready for SAVETANK conn. 3/4" for washers LS/RS-11 to 28
- Normally closed valve RS-14
- Water Recycle RS-14
- 6 extra dosing signals card for RS-11 to 45C
- Silicon door gasket RS-11/14
- Reversible door: reverse door opening
- Tropicalized model: protected board (T2)
- Kit to transform an E or HW for RS-11/14/18/22
- Stainless steel outer casing RS-14
- Stainless steel AISI 304 top and front panel for DLS-14
- 440 V III No N 50/60 Hz RS-14
- KIT 110/230 V 1/2K0V RS-11/14/18
- Several payment systems for self-service

DRUM	UNIT.	RS-14 T2	
Capacity 1/9	Kg	14	
Capacity 1/10	Kg	13	
Volume	l	130	
Diameter	mm	620	
Depth	mm	430	
GENERAL DETAILS			
Washing speed / Spining speed	r.p.m.	53 / 759	
G Factor	-	200	
Maximum force transmitted	KN	2,31 ±4	
Frequency-dynamic force	Hz	8,93	
Noise level	dB	< 70	
Coin laundry version	-	YES	
Double drain	-	OPT.	
Weighing system / Tilting door	-	NO	
		NO	
SLUICE option	-	YES	
DOOR			
Height center door / Height door	mm	570 / 310	
Diameter	mm	373	
POWER			
Motor	kW	1,1	
Electric heating power	kW	9	
Total electric power (electric model)	kW	9,5	
Total electric power (hw, steam model)	kW	1,1	
CONNECTIONS		E	HW/S
Tension 110V - I + N + T	Nº x mm ² / A	-	-
Tension 230V - I + N + T	Nº x mm ² / A	2x10+T - 50A	2x1,5+T - 16A
Tension 230V - III + T	Nº x mm ² / A	3x4+T - 32A	-
Tension 400V - III + N + T	Nº x mm ² / A	4x1,5+T - 16A	-
Steam inlet (Steam model)	inch	1/2"	
Maximum steam consumption (Steam model)	Kg/h	8,5	
Water inlet	inch	3/4"	
Water main pressuer	Kg/cm ²	2-4	
Maximum water consumption*	l / h	78,8*	
Drain	mm/inch	3"	
Drainage capacity	l / min	200	
DIMENSIONS / PACKING DIMENSIONS			
Net Width/Gross width	mm	719 / 782	
Net Depth/Gross depth	mm	856 / 990	
Net Height / Gross height	mm	1.165 / 1.400	
Net weight / Gross weight	kg	210 / 245	
Volume	m ³	1,08	

* Program nº20, 75% load

** Program nº2, 100% load





1. Soap dispenser
2. Emergency stop
3. USB Port
4. Drain
5. Electric connection to liquid soap pumps
6. Electrical connection
7. Main switch
8. Auxiliar water inlet
9. Hot water inlet
10. Equipotential connection
11. Cold water inlet
12. Blur output / water overload
13. Liquid soap connection
14. Steam connection
15. Ethernet port
16. Clean side light

		A	B	C	D	E	F	G	H	I	J	K	L	M	N	O	P	Q	R	S	T	U	V	W	X	Y	CGY	CGZ
RS-14	mm	719	856	1.165	310	373	148	440	886	1.054	889	1.073	958	61	74	101	316	376	637	475	211	654	607	1.053	416	1.053	484	524
	inch	28,31	33,70	45,87	12,20	14,69	5,83	17,32	34,88	41,50	35,00	42,24	37,72	2,40	2,91	3,98	12,44	14,80	25,08	18,70	8,31	25,75	23,90	41,46	16,38	41,46	19,06	20,63