



SAVETANK tanks are the ideal solution for optimising water consumption in your laundry.

Perfect for businesses with limited space and smaller machines.

OUTSTANDING FEATURES

80 and 150 litre tanks to save a large amount of water in small spaces.

In column: each washer or barrier can have 1, 2 or 3 tanks in column.

Resistant: Made of high density polyethylene and external reinforcement with skinplate panel structure, stainless steel aesthetics.

Interior with rounded corners design to prevent dirt accumulation and facilitate cleaning.

EFFICIENCY

We saves water: thanks to the reuse of water at different stages of the washing and rinsing process.

We saves energy: by reducing the demand for conventional pumping and pressure systems, processes that require a considerable amount of energy.

We saves chemicals: by optimising the use of water in different phases of the wash, SAVETANK reduce the need for chemicals to treat the water, taking advantage of its purity in each cycle.

EASY MAINTENANCE

Plug and play: Easy to connect and install to washing machines with T2 control.

2 water level sensors in each SAVETANK.

Self-cleaning tanks with pre-set programmes (with T2 equipped washers).

Removable tanks for easy cleaning and maintenance.

OTHERS

Grey skinplate panels.

High density polyethylene tanks.

2 water level sensors in each tank.

MACHINES THAT CAN BE CONNECTED TO SAVETANK

80l. tanks for:

- 11 to 18kg washers
- 16kg barriers

150l. tanks for:

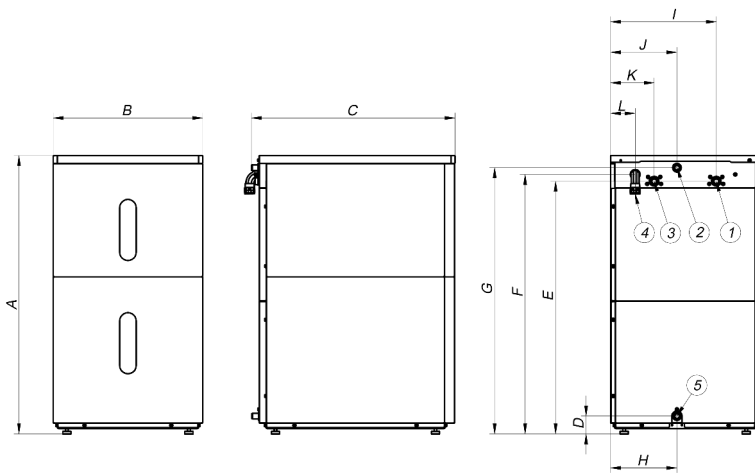
- 22 to 28kg washers
- 22kg barriers

OPTIONS

- Kit ready for SAVETANK 3/4" for barriers LCA-16
- Kit ready for SAVETANK 3/4" for washers LS/RS-11/14/28



TANKS	UNIT.	WREC-80 T2
Tanks	l	80x2
Front-load washing machine capacity	Kg	11, 14, 18
Front-load washing machine barrier	Kg	16, 22
Outdoor furniture	-	skinplate
CONNECTIONS		
Water inlet	inch	3/4"
Water outlet	inch	3/4"
Fumes outlet	mm	21
Drain Ø	mm	21
DIMENSIONS / PACKING DIMENSIONS		
Net width / Gross width	mm	551 / 600
Net depth / Gross depth	mm	752 / 800
Net height / Gross height	mm	977 / 1.122
Net weight / Gross weight	Kg	90 / 115
Volume	m ³	0,40 / 0,54



1. Water output (Recovery system > washer)
2. Fumes output
3. Water inlet (Washer > recovery system)
4. Electrical inlet
5. Overflow

	A	B	C	D	E	F	G	H	I	J	K	L
WREC-80 T2	1022,8	551	722,6	65,5	928,5	953,5	978,5	245	390	245	161	91