



Primer

DDL-14 P

BASIC Stack dryers

P CONTROL

Push buttons to control temperature and time.

OUTSTANDING FEATURES

Reversing drum action as standard.
Stainless steel drum as standard.
Frequency inverter as standard.

VERSATILITY

Make to order - customisation.
OPL > Coin - Standard OPL model easily trasformable to coin laundry uses.

ERGONOMICS

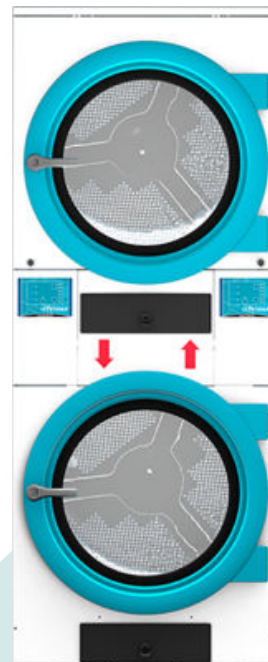
Drawer as fluff filter, stainless steel mesh.
Biggest door diameters.

EASY MAINTENANCE

Hinged control panel: easy and ergonomic access.
Technical menu: statistics for technicians and maintenance with external console.

OTHERS

White painted panels.
COOL DOWN: anti-wrinkle at the end of the cycle.
Filter drawer with wide surface and improved airflow.
Heating options: electric and gas, except DDL-22 T2 gas only.
CE approved



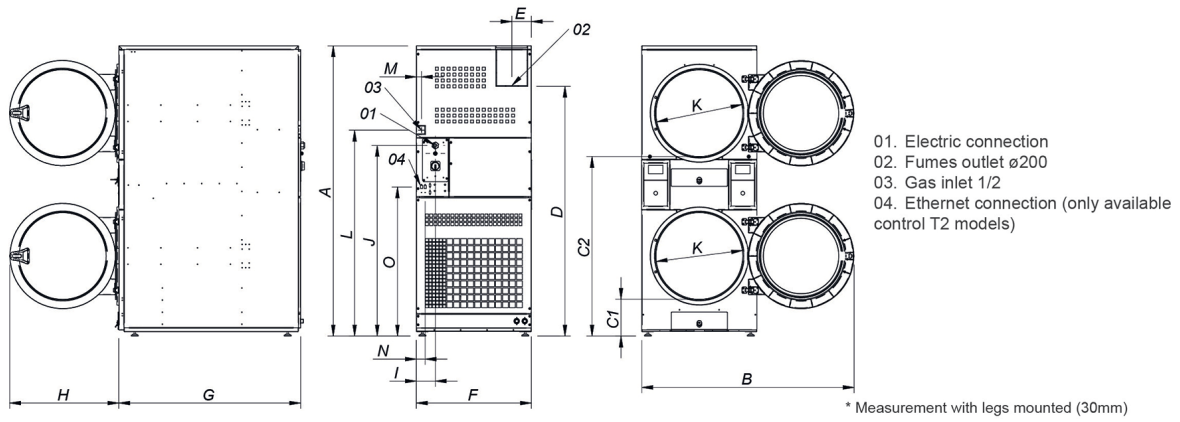
OPTIONS

- Screen in P programmer (2 units)
- Fluff filter with grid 0,3 mm (standard in is 0,6 mm)
- NG gas option (Natural) for DDL
- Maritime wooden packing DDL-14
- 400V III 50Hz 11/14/18kg
- 400V III 60Hz 11/14/18/22kg
- 230V III 60Hz 11/14/18kg G
- 230V III 60Hz 11/14/18kg E
- 440V/480V III 60Hz 11/14/18/22kg (maritime)
- Several payment systems for self-service

CAPACITY & DRUM	UNIT.	DDL-14 P	
Capacity 1/18	Kg	15	
	lb	33,1	
Capacity 1/20	Kg	13,5	
	lb	29,8	
Ø Drum	mm	750	
	inch	29,53	
Drum length	mm	746	
	inch	24,02	
Drum volume	l	270	
	cu ft	9,53	
Ø Door hole	mm	574	
	inch	22,60	
Door center height	mm	547 / 1.522	
	inch	21,54 / 59,92	
Height from floor to bottom of door	mm	189 / 1.164	
	inch	7,32 / 45,83	
ELECTRIC HEATING			
Evaporation capacity	L/h	17,2	
	US gallon/h	4,54	
Hourly output	Kg/h	34,4	
	lb/h	75,8	
Installed heating power	kW	12 x2	
Installed electrical power	kW	25,34	
Drum motor power	kW	0,37 x2	
GAS HEATING			
Evaporation capacity (gas model)	L/h	16,9	
	US gallon/h	4,465	
Hourly output (gas model)	Kg/h	33,8	
	lb/h	74,5	
Installed gas heating power	kcal/h	10327 x2	
	Btu/h	40945,7 x2	
Installed gas heating power	kW	12 x2	
Installed electrical power	kW	1,34	
Instant propane gas consumption (G31)	Kg/h	1,03 x2	
	lb/h	2,27 x2	
Instant natural gas consumption (G20)	m ³ /h	1,27 x2	
	cfm	0,75 x2	
Ø Gas inlet	BSPP ISO 228-1	1/2"	
VENTILATION			
Fan motor power	kW	0,25 x2	
Nominal air flow rate	m ³ /h	500 x2	
	cfm	294,28 x2	
Ø Fume exhaust	mm	200 x2	
Ø Fume exhaust	inch	7,78 x2	
HEAT EMISSION			
Maximum total heat emission	kW	2,4	
	Btu/h	8193,9	
Max. front heat emission	kW	1,68	
	Btu/h	5735,8	
CONNECTIONS		E	G / S
Tension 230V - I + N + T	Nº x mm ² / A	-	3 x 1,5 / 16A
Tension 230V - III + T	Nº x mm ² / A	4 x 25 / 80A	3 x 1,5 / 16A
Tension 400V - III + N + T	Nº x mm ² / A	5 x 10 / 40A	3 x 1,5 / 16A
NET DIMENSIONS / D. WITH PACKING			
Net / gross width	mm	785 / 865	
	inch	30,91 / 34,06	



Net / gross depth	mm	1.106 / 1.189
	inch	43,54 / 46,81
Net height / gross height without heating	mm	1.980 / 2.126
	inch	77,95 / 83,70
Net / gross weight	Kg	275 / 293
	lb	606,27 / 645,95
OTHERS		
Sound level	dB	64



	A	B	C1	C2	D	E	F	G	H	I	J	K	L	M	N	O
DDL-11	1980*	1447	259	1234	1680	135	785	972	735	130	1275	575	1406	35	60	1018
DDL-14	1980*	1447	259	1234	1680	135	785	1106	735	130	1275	575	1406	35	60	1018
DDL-18	1980*	1447	259	1234	1680	135	785	1242	735	130	1275	575	1406	35	60	1018