



### P CONTROL

Push buttons to control temperature and time.

### OUTSTANDING FEATURES

Reversing drum action as standard.  
Stainless steel drum as standard.  
Frequency inverter as standard.

### VERSATILITY

Make to order - customisation.  
OPL > Coin - Standard OPL model easily trasformable to coin laundry uses.

### ERGONOMICS

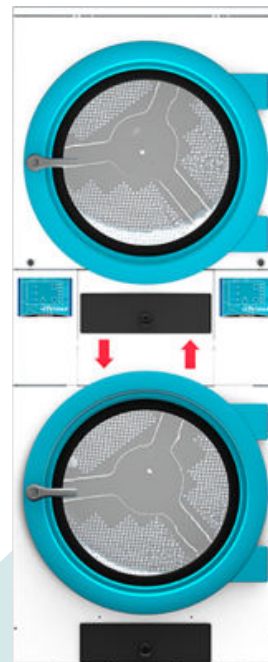
Drawer as fluff filter, stainless steel mesh.  
Biggest door diameters.

### EASY MAINTENANCE

Hinged control panel: easy and ergonomic access.  
Technical menu: statistics for technicians and maintenance with external console.

### OTHERS

White painted panels.  
COOL DOWN: anti-wrinkle at the end of the cycle.  
Filter drawer with wide surface and improved airflow.  
Heating options: electric and gas, except DDL-22 T2 gas only.  
CE approved



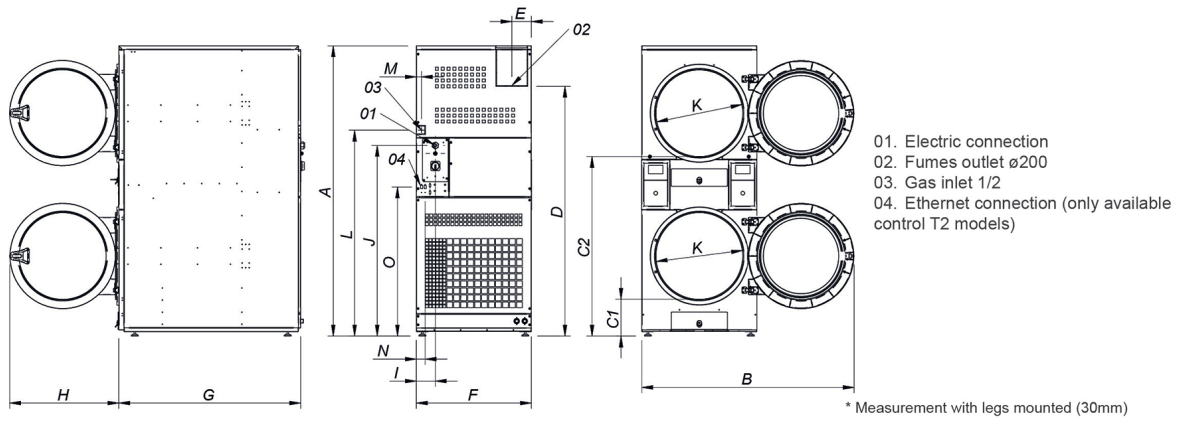
### OPTIONS

- Screen in P programmer (2 units)
- Fluff filter with grid 0,3 mm (standard in is 0,6 mm)
- Maritime wooden packing DDL-11
- NG gas option (Natural) for DDL
- 400V III 50Hz 11/14/18kg
- 400V III 60Hz 11/14/18/22kg
- 230V III 60Hz 11/14/18kg G
- 230V III 60Hz 11/14/18kg E
- 440V/480V III 60Hz 11/14/18/22kg (maritime)
- Several payment systems for self-service

CAPACITY & DRUM		UNIT.	DDL-11 P	
Capacity 1/18		Kg	11,7	
		lb	25,7	
Capacity 1/20		Kg	10,5	
		lb	23,1	
Ø Drum		mm	750	
		inch	29,53	
Drum length		mm	475	
		inch	18,70	
Drum volume		l	210	
		cu ft	7,41	
Ø Door hole		mm	574	
		inch	22,60	
Door center height		mm	547 / 1.522	
		inch	21,54 / 59,92	
Height from floor to bottom of door		mm	189 / 1.164	
		inch	7,32 / 45,83	
ELECTRIC HEATING				
Evaporation capacity		L/h	15,8	
		US gallon/h	4,17	
Hourly output		Kg/h	31,6	
		lb/h	69,7	
Installed heating power		kW	12 x2	
Installed electrical power		kW	25,34	
Drum motor power		kW	0,37 x2	
GAS HEATING				
Evaporation capacity (gas model)		L/h	15,3	
		US gallon/h	4,042	
Hourly output (gas model)		Kg/h	30,6	
		lb/h	67,5	
Installed gas heating power		kcal/h	10327 x2	
		Btu/h	40945,7 x2	
Installed gas heating power		kW	12 x2	
Installed electrical power		kW	1,34	
Instant propane gas consumption (G31)		Kg/h	1,03 x2	
		lb/h	2,27 x2	
Instant natural gas consumption (G20)		m <sup>3</sup> /h	1,27 x2	
		cfm	0,75 x2	
Ø Gas inlet		BSPP ISO 228-1	1/2"	
VENTILATION				
Fan motor power		kW	0,25 x2	
Nominal air flow rate		m <sup>3</sup> /h	500 x2	
		cfm	294,28 x2	
Ø Fume exhaust		mm	200 x2	
Ø Fume exhaust		inch	7,78 x2	
HEAT EMISSION				
Maximum total heat emission		kW	2,4	
		Btu/h	8193,9	
Max. front heat emission		kW	1,68	
		Btu/h	5735,8	
CONNECTIONS			E	G / S
Tension 230V - I + N + T		Nº x mm <sup>2</sup> / A	-	3 x 1,5 / 16A
Tension 230V - III + T		Nº x mm <sup>2</sup> / A	4 x 25 / 80A	3 x 1,5 / 16A
Tension 400V - III + N + T		Nº x mm <sup>2</sup> / A	5 x 10 / 40A	3 x 1,5 / 16A
NET DIMENSIONS / D. WITH PACKING				
Net / gross width		mm	785 / 865	
		inch	30,91 / 34,06	



Net / gross depth	mm	972 / 1.055
	inch	38,27 / 41,54
Net height / gross height without heating	mm	1.980 / 2.126
	inch	77,95 / 83,70
Net / gross weight	Kg	260 / 268
	lb	573,20 / 590,84
<b>OTHERS</b>		
Sound level	dB	64



	A	B	C1	C2	D	E	F	G	H	I	J	K	L	M	N	O
DDL-11	1980*	1447	259	1234	1680	135	785	972	735	130	1275	575	1406	35	60	1018
DDL-14	1980*	1447	259	1234	1680	135	785	1106	735	130	1275	575	1406	35	60	1018
DDL-18	1980*	1447	259	1234	1680	135	785	1242	735	130	1275	575	1406	35	60	1018