



SAVETANK tanks are the ideal solution for optimising water consumption in your laundry.

Perfect for businesses with limited space and smaller machines.

## OUTSTANDING FEATURES

80 and 150 litre tanks to save a large amount of water in small spaces.

In column: each washer or barrier can have 1, 2 or 3 tanks in column.

Resistant: Made of high density polyethylene and external reinforcement with skinplate panel structure, stainless steel aesthetics.

Interior with rounded corners design to prevent dirt accumulation and facilitate cleaning.

## EFFICIENCY

**We saves water:** thanks to the reuse of water at different stages of the washing and rinsing process.

**We saves energy:** by reducing the demand for conventional pumping and pressure systems, processes that require a considerable amount of energy.

**We saves chemicals:** by optimising the use of water in different phases of the wash, SAVETANK reduce the need for chemicals to treat the water, taking advantage of its purity in each cycle.

## EASY MAINTENANCE

Plug and play: Easy to connect and install to washing machines with T2 control.

2 water level sensors in each SAVETANK.

Self-cleaning tanks with pre-set programmes (with T2 equipped washers).

Removable tanks for easy cleaning and maintenance.

## OTHERS

Grey skinplate panels.

High density polyethylene tanks.

2 water level sensors in each tank.

### **MACHINES THAT CAN BE CONNECTED TO SAVETANK**

80l. tanks for:

- 11 to 18kg washers
- 16kg barriers

150l. tanks for:

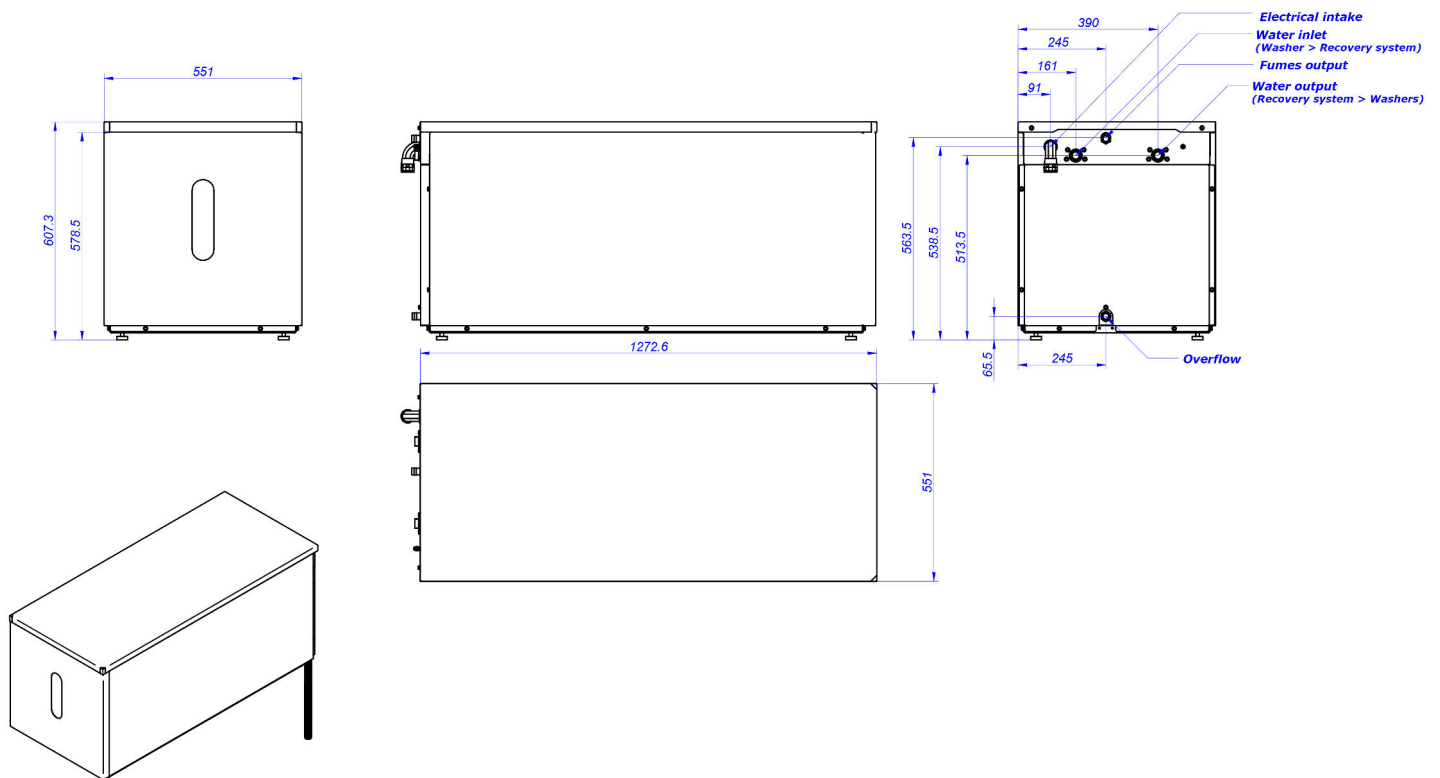
- 22 to 28kg washers
- 22kg barriers



## OPTIONS

- Kit ready for SAVETANK XL 3/4" for washers LS/RS-11/14/28
- Kit ready for SAVETANK XL 3/4" for barriers LCA-16
- Kit ready for SAVETANK XL 3/4" for barriers LCA-22

TANKS	UNIT.	WREC-150 T1
Tanks	l	150x1
Front-load washing machine capacity	Kg	27, 36
Front-load washing machine barrier	Kg	27, 35
Outdoor furniture	-	skinplate
CONNECTIONS		
Tension	V	230V I
Water inlet	inch	3/4"
Water outlet	inch	3/4"
Fumes outlet	mm	21
Drain Ø	mm	21
DIMENSIONS / PACKING DIMENSIONS		
Net width / Gross width	mm	551 / 570
Net depth / Gross depth	mm	1273 / 1350
Net height / Gross height	mm	608 / 1050
Net weight / Gross weight	Kg	60 / 80
Volume	m <sup>3</sup>	0,81



	A	B	C	D	E	F	G	H	I	J	K	L
WREC-150 T1	607,3	551	1272,6	65,5	513,5	538,5	563,5	245	390	245	161	91

